



PASTA COOKERS

INSTRUCTION FOR INSTALLATION AND USE  
DIE GEBRAUCHS UND INSTALLATIONSANWEISUNG  
NOTICE D'INSTALLATION ET D'EMPLOI  
NÁVOD K OBSLUZE A INSTALACI  
INSTRUKCJE MONTAŻU I OBSŁUGI  
UPUTSTVO ZA INSTALACIJU I UPOTREBU



VT 740 E, VT 780 E

CE  
1015-22

[www.rmgastro.com](http://www.rmgastro.com)





## **CONTENT**

Declaration of a standards conformity	3
Instruction for use	6
Cleaning and maintenance	7

## **INHALT**



Die Normenübereinstimmungsdeklaration	8
Gebrauchsanweisung	11
Die Reinigung und Instandhaltung	12

## **CONTENU**



Déclaration de conformité	13
Mode d'emploi	16
Nettoyage et entretien	17

## **OBSAH**



Prohlášení o souladu s normami	22
Návod k použití	26
Čistění a údržba	28

## **BRUGERVEJLEDNING**



Erklæring om standard kompatibilitet	33
Brugsvejledning	36
Rensning og vedligeholdelse	37

## **SADRŽAJ**



Izjava o saglasnosti Sa normama	42
Uputstvo za upotrebu	46
Čišćenje i održavanje	47

## DECLARATION OF A STANDARDS CONFORMITY

The producer confirms that the devices agree with 2004/108/ES, 2006/95/ES standards, rule nr. 616/2006 sb., 17/2003 sb. and with relevant government orders. Installation must be done with respect to valid standards. Attention, the producer refuses any responsibility in case of direct or indirect damages which are caused due to wrong installation, incorrect intervention or modification, insufficient maintenance, incorrect use and also possibly caused by other reasons presented by items in sale conditions. This appliance is set only for skilled use and must be operated by qualified persons only. Parts set and secured by the producer or accredited person must not be rebuilt by user.

### TECHNICAL DATA

Label with technical data is placed on the back side of the device. Study the electrical diagram of connection and all following information before installation.

MODEL	VOLTAGE (V/Hz)	WATTAGE (KW)	DIMENSIONS (CM)
VT-740 E	400 / 50	7,5	40 x 73 x 85 v
VT-780 E	400 / 50	2x 7,5	80 x 73 x 85 v

### PACKING AND DEVICE CHECK

The device leaves our stocks properly packed with appropriate symbols and labels. There are also appropriate instructions for use. In case the packing shows bad handling or damage, it must be reclaimed at transporter immediately by writing and signing of a damage protocol.

Important notice:

- only for professional use
- this instructing guide must be read properly and carefully because it contains important information about safety elements, installation, use
- these recommendations refer to this product
- this product corresponds with valid standards
- this guide must be properly deposited for future use
- keep the children away from manipulation with the product
- when selling or moving the product to another place it is necessary to make yourself sure that the staff or the professional service has got acquainted with control and installation instructions from enclosed guide
- only authorised person can operate the product
- it can not be switched on without supervision
- we recommend to have the product checked by professional service min. once a year
- only original spare parts can be used for repairs
- the product can not be cleaned by the water jet or pressure shower
- by damage or break down disconnect all the feeders (water, gas, electricity) and call professional service
- producer refuses any responsibility in case of damages caused by wrong installation, by disobeying of above mentioned recommendations or by other use etc.

## **PLACEMENT**

The device must be installed in well ventilated room what is necessary for regulation of the function of the device (technician must go by valid standard (EN....). If the device is situated close to the wall or if it is in contact with the furniture walls, these walls must resist the temperatures ranging to 90°C. Installation, setting, putting into operation must be done by qualified person who is competent for this and according to the valid standards.

Wrap up the device and check whether it was not damaged during transport. Settle the device on horizontal surface (max imbalance 2°).Settle the device under the fumehood to eliminate water steam and bad smell. The device can be installed separately or in a set with devices of our production. Min. distance 10 cm from other subjects must be kept.It is also necessary to prevent our product from contact with combustible materials. In this case you must make corresponding changes to secure heat izolation of combustible parts. Safety measures from the standpoint of the fire protection according to EN 061008čl. 21:

## **TECHNICAL INSTRUCTIONS FOR INSTALATION AND REGULATION**

### **Important:**

The manufacturer does not provide warranty for defects caused by improper use, failure to instructions contained in the attached instructions for use and mistreatment of the appliances.

Installation, adjustment and repair of appliances for kitchens, as well as their removal because of possible damage to the gas can be carried out only under a maintenance contract, this contract may be signed with an authorized dealer, and must be complied with regulations and technical standards and regulations regarding the installation, power supply, gas connection and health & safety system.

These instructions are intended for the qualified technician who must perform the installation, put it into operation and test the appliance.

Any activity as settings, placement, rebalancing etc, must be made only when is device disconnected from electricity. If it is necessary to have the device connected to the electricity you must keep the highest attention to avoid any injuries.

### **DEVICE INSTALATION**

Instalation, setting, rebuilding for another gas type, putting into operation must be done by qualifi ed person whois competent for this and according to the valid standards. The device can be installed in good ventilated room. When it is possible place the device under the fumehood to suck off the products of combustion. Air needy to the burning is 2m<sup>3</sup>/h/kW ot the performance of the instaled device. The device can be installed separately or in a set with devices of our production. Min. distance 10 cm from other subjects must be kept.It is also necessary to prevent our product from contact with combustible materials. In this case you must make corresponding changes to secure heat izolation of combustible parts (for example:place between the device

# SAFETY MEASURES FROM THE STANDPOINT OF THE FIRE PROTECTION ACCORDING TO EN 061008 ČL. 21

- only adults can operate the device
- device must be safely used in common surroundings according to EN 332000-4-462; EN 332000-4-42. You must switch the gas device off under the circumstances leading: to the danger of the temporary rise of the combustion gas or steam or during works when there is a big possibility of rise of the temporary fire danger or explosion (for example: to stick linoleum, PVC etc.).
- before you start to instal the device you must get the licence for connection to the gas feeder from the gasworks
- device must be placed so as to stand or hang on the noncombustible surface which is on each side 10 cm larger than the device. No subjects from combustible materials can be placed directly on the device or in distance which is shorter than safety distance (the shortest distance is 50 cm in the direction of the heat emission and 10 cm in other directions).- safety distances from various materials of different degree of combustion and information about the degree of comb. of common building materials - see chart:

## Chart:

Combustion degree of building materials classified according to the combustion degree of materials and products (EN 730823)

A noncombustible	granit, sandstone, concretes,bricks, ceramic wallfacing tiles, plaster
B uneasily combustibile	akumine, heraklite, lihnos, itavere
C1 hardly combustibile	leafy wood, plywood, sirkoklit, rare paper formica
C2 middle combustibile	fibreboards, solodure, cork boards, rubber,floor-coverings
C3 easily combustibile	wood-fibreboards, polystyrene,polyurethane, PVC

Devices must be instalated in a safe way. When instaling you must respect corresponding project, safety and hygienic orders according to:

- EN 061008 fire protection of local devices and sources of heat
- EN 332000 (33 2000-4-482; 33 2000-4-42) surrounding for electric devices ČSN EN 1775 Gas supplying
- Gas fi ttings in the buildings - the highest operational pressure < 5 bar - operation demands
- § 10 law nr. 185/2001 Sb. about waste

## CONNECTION OF THE ELECTRIC CABLE TO THE ELECTRICITY

Instalation of electric feeder - This feeder must be separetely protected by a safety fuse according to the specific electric stream which depends on the wattage of the instaled device. Check the wattage on the label at the back of the device. Connect the device directly to the electricity but you must put the switch between the device and electric net. The switch must be placed in min. distance 3 mm between the particular contacts according to the standards and loading. The feeder of grounding (yellow-green) cannot be interrupted by this switch. In every case feeding cable must be placed so that no point of the cable will reach the temperature which is 50°C higher than the temperature of the surrounding. Before connecting the device check that:

- safety fuse of the feeder and inner mains can stand the loading of the device (see label of the matrix)
- mains are equipped with effective grounding according to standards (ČSN) and conditions given by law
- socket or switch of the feed is well accessible from device

We refuse any responsibility in case of not respecting above mentioned rules. Before the first use it is necessary to remove all the protection foil and to clean the device - see chapter „cleaning and maintenance“.

Maintenance: We recommend to have the device checked once a year by the proffesional service. Only qualified or competent persons can do interventions in the product.

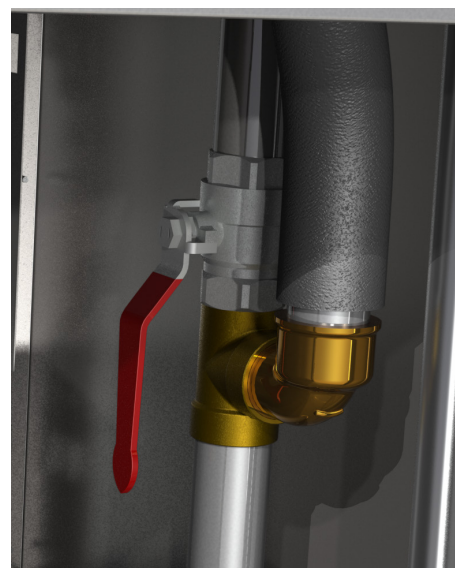
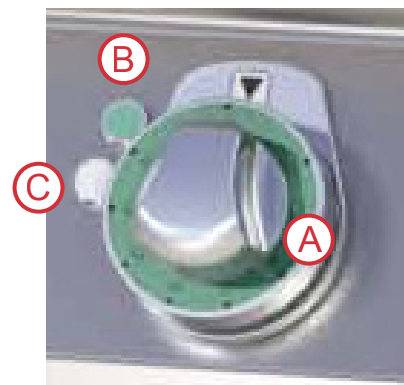
## INSTRUCTION FOR USE

Before the first use of the device you must remove protection foil from all surfaces and wash the device with moist cleaning cloth dipped in the water with detergent. Than dry it with cloth.

The bath is filled with water through the supply valve, which is located on the front panel. The bath must be filled slowly for the first time, because the water system contains air and the water may spurt violently through the fill arm. Fill the device with water not higher than the line on the side. Switch on with knob (A) turn the knob (A) from the position „0“ to required position between 30°C - 110°C. Pilot lamp (B) will light. Pilot lamp (B) lights when the device is in electricity. Pilot lamp (C) lights when the thermo spirals are on. Pilot lamp (C) goes out when the device reaches required temperature. Switch the device off by turning the knob (A) into position „0“. Control the level of the water, never use the device without water. Use the device under supervision. The device must be fully occupied with the gastrobowls.

## DISCHARGING OF THE BATH

Discharge the bath when the water is cold and the device is disconnected from the electricity. User must have convenient bowl for discharging the bath. This bowl must be made from heat-resistant material. Put the bowl in the safe place to prevent discharging water from splashing. Splashing can cause the danger. Put on the discharging pipe, open the safety catch by turning it up and turn the lever into position marked as opening of the cock. Discharge the bath only when the water is cold. The water is drained from the bath through a release valve, which is located inside the base. The waste pipe outlet is below the equipment and the water is drained straight onto the ground. There is a “G1” thread at the end of the pipe, to which additional waste pipe can be connected.





## **CLEANING AND MAINTENANCE**

It is recommended to have the device checked by the professional service min. once a year. All interventions must be done by qualified person who is competent for this.

### **ATTENTION!**

The device cannot be cleaned by direct or pressure water. Clean it daily. Daily maintenance keeps longer useful life and efficiency of the device. Before cleaning make sure to have disconnected the device from electricity. Always switch off the main feeder to the device. Stain-less parts wash with moist cleaning cloth and detergent without groove parts than wash it with clean water and dry it by the cloth. Do not use abrasive and corrosive detergents.

### **WHAT TO DO IN CASE OF BREAK-DOWN**

Switch off the electric feeder and call seller's professional service.

### **INDICATION:**

Guarantee does not cover all consumption parts succumable to common wear (rubber seals, bulbs, glas and plastic parts etc.). The guarantee does not refer to the devices which were not instaled in correspondance with instructions - by qualified worker, in confirmity with standards and when somebody handled incompetently the device (interventions into inner equipment) or the device was operated by nonqualified staff or at variance with instructions for use. Guarantee does not also cover the damages caused due to influence of nature or other outer intervention.

**Therefore it is essential for the correct use of the baskets to take some simple precautions.**

- 1) Never leave the racks to dry after use without rinse thoroughly with warm water.
- 2) Every time you stop working to take care of the baskets rinse with warm water or a suitable product.
- 3) Do not throw the salt directly into the baskets.
- 4) Do not use abrasive products or accessories (sponges etc.).

Note: As you make the washing pay particular attention to areas where there are gaps (welding, the frontcourt of the network structure, etc..) Because in these areas may stagnate the saline solution which eventually may lead to corrosion .

Note: When cleaning the steel parts do not use products containing chlorine or its derivatives.

# DIE NORMENÜBEREINSTIMMUNGSDEKLARATION

Der Produzent erklärt, daß die Geräte in einer Übereinstimmung mit den Vorschriften der 2004/108/ES, 2006/95/ES dem Gesetz Nr. 616/2006 sb., 17/2003 sb. der Sammlung und zugehörigen Regierungsverordnungen stehen. Die Installation muss mit der Absicht auf geltende Normen durchgeführt werden. Vorsicht, im Falle einer direkten oder indirekten Beschädigung, die sich auf falsche Installation, unrichtigen Eingriff oder Anpassungen, ungenügende Instandhaltung, unrichtige Verwendung beziehen, und welche eventuell durch andere Ursachen, als in Punkten der Verkaufsbedingungen angeführt ist, so verzichtet der Importeur auf jegliche Verantwortung. Dieses Gerät ist nur für fachliche Verwendung bestimmt und muß durch qualifizierte Person bedient werden. Teile, die nach der Einstellung durch den Hersteller oder durch befugte Person gesichert wurden, dürfen vom Benutzer keineswegs umgestellt werden.

## DIE TECHNISCHEN DATEN

Das Schild mit technischen Angaben ist auf der Rückseite des Gerätes angebracht. Studieren sie vor der Installation das elektrische Schema der Einschließung und alle folgende Informationen durch.

MODEL	SPANNUNG (V/Hz)	ANSCHLUSSWERT (KW)	ABMESSUNG (CM)
VT-740 E	400 / 50	7,5	40 x 73 x 85 v
VT-780 E	400 / 50	2x 7,5	80 x 73 x 85 v

## DIE VERPACKUNGS-, UND VORRICHTUNGSKONTROLLE

Die Vorrichtung verlässt unsere Lager in ordentlicher Verpackung, auf deren die entsprechenden Symbole und Bezeichnungen stehen. In der Verpackung befindet sich entsprechende Bedienungsanweisung. Falls die Verpackung eine schlechte Behandlung oder Anzeichen der Beschädigungen vorweist, muß dieses sofort beim Transporteur reklamiert werden und zwar durch Unterzeichnung eines Schadensprotokolles.

## Wichtige Hinweise

- Nur für professionellen Verbrauch geeignet
- Diese Bedienungsanleitung muss ordentlich und bedächtig gelesen werden, weil sie wichtige Informationen über Sicherheitsmerkmale, Installation und Anwendung beinhaltet
- Diese Empfehlungen beziehen auf diesen Produkt
- Der Produkt entspricht geltenden Normen
- Diese Anleitung muß ordentlich für die zukünftige Verwendung hinterlegt werden
- Hindern Sie den Kinder an Vorrichtungsm Manipulation
- Beim Verkauf oder Verlegung ist es notwendig sich zu überzeugen, daß die Bedienstperson oder Fachservis sich mit der Beherrschung und Installationsanweisung in beiliegender Anleitung, anvertraut gemacht haben.
- Das Produkt darf nur eingeschulte Bedienung bedienen
- Das Produkt darf nicht ohne Aufsicht ins Betrieb gesetzt sein
- Es ist empfohlen, minimal einmal pro Jahr eine Fachkontrolle durchführen zu lassen
- Bei eventueller Reparatur der Teilenumtauschungen müssen ausschließlich Originalteile angewendet werden
- Das Produkt darf nicht durch einen Wasserstrahl oder Druckbrause gereinigt werden
- Schalten Sie alle Leitungen (Wasser, Elektrizität, Gas) bei einer Störung oder beim schlechten Lauf aus und rufen Sie autorisierten Service an
- Der Hersteller verzichtet auf jegliche Verantwortung bei Störungen, die durch fehlerhafte Installation, Nichteinhaltung o.a. Empfehlungen, andere Verwendung u.ä, verursacht wurden



## **DIE PLATZIERUNG**

Es ist unbedingt notwendig, zu der Regulation der Gerätetätigkeit, daß das Milieu - der Küche -, wo das Gerät installiert wird, sehr gut belüftbar ist (im Hinblick darauf: sei der Techniker sich mit geltenden Normen (EN) richtet). Wenn die Einrichtung so plaziert wird, daß sie im Mobiliarwandkontakt stehen wird, so müssen diese einer Temperatur von 90°C widerstehen. Die Installation, Herrichtung, Inbetriebnahme müssen durch qualifizierte Person, die zu solchen Vorkehrungen eine Befugnis hat und dies laut geltenden Normen nach, durchgeführt werden.

Packen Sie das Gerät aus und kontrollieren Sie, ob sich das Gerät während des Transportes nicht beschädigt hat. Platzieren Sie das Gerät auf eine waagrechte Fläche (maximale Unebenheit bis 2°). Stellen Sie das Gerät unter den Haubenabzug, damit Sie die Wasserdämpfe und den Geruch eliminieren. Das Gerät kann selbständig oder in einer Reihe mit Geräten unserer Herrstellung installiert werden. Es ist notwendig die minimale Entfernung von 10 cm zu anderen Gegenständen einzuhalten, so dass die Wärmeisolierung der brennbaren Teilen gewährleistet wird.

Das Gerät kann selbständig oder in einer Reihe mit Geräten unserer Herrstellung installiert werden. Es ist notwendig die minimale Entfernung von 10 cm zu anderen Gegenständen einzuhalten, so dass die Wärmeisolierung der brennbaren Teilen gewährleistet wird.

## **TECHNISCHE HINWEISE ZUR INSTALLATION UND REGELUNG**

### **Wichtig:**

Zur Benützung AUSSCHLIEßLICH nur für spezialisierte Techniker  
Instruktionen, die folgen, wenden sich an den Techniker, der für die Installation qualifiziert ist, damit er alle Operationen mit der korrektesten Weise und laut der gültigen Normen durchführt.

### **Wichtig**

Jeweils irgendeine Tätigkeit, die mit der Regulation verbunden ist u.ä, muß nur mit der aus dem Netz ausgezogenen und abgeschalteten Einrichtung vollgezogen sein.

Solange das Gerät unter der Spannung notwendig zu halten ist, eine höchste Vorsicht zu beachten vorliegt.

# DIE SICHERHEITSVORRICHTUNGEN AUS DER SICHT DES FEUERSCHUTZES LAUT EN. 061008 ČL. 21

Die Einrichtungsbedienung dürfen nur Erwachsene ausführen

- Das Gerät darf sicher in gewöhnlicher Umgebung laut EN 332000-4-482; EN 332000-4-42 verwendet werden.
- Es ist notwendig das Gerät so platzieren, daß es auf einer unbrennbaren Grundlage steht oder hängt.
- Es dürfen, auf und in eine Entfernung, die kleineremase als sicher vom Gerät bezeichnet wird, keine Gegenstände aus brennbaren Materilien (die kleinste Entfernung vom Brennbarem ist 10 cm) aufgestellt werden.
- Die sicheren Entfernungen von Massen der einzelnen Brenngra

## **Tabelle:**

Baumassefeuerbrenngrad ins Brenngrad (EN) der Massen und Produkte eingegliedert

A	Unbrennbar	Granit, Sandstein, beton, Ziegel, Keramikbekleidung, Putz
B	nicht einfach brennbar	Akumin, Heraklit, Lihnos, Itaver
C1	schwer brennbar	Holz, Laubbaum, Furnier Sirkoklit, Festpapier, Umakart
C2	mittel brennbar	Holzspanplatten, Solodur, Korkplatten, Hartgummi, Bodenbeläge
C3	leicht brennbar	Holzfasерplatten, Polystyren, Polyureten, PVC

Die Bedarfsartikel müssen sicher installiert werden und sind mit regulierenbaren Beinchen - zur Ausgleichen der Höhe und der Unebenheiten eingestattet.

Die Geräte müssen in einer sicheren Weise installiert werden. Bei der Installation müssen weiter betreffende Projekt-, Sicherheits-, und Hygienevorschriften respektiert werden.

- EN 06 1008 Feuerschutz der örtlichen Geräte und der Wärmquellen
- EN 33 2000 (33 2000-4-482; 33 2000-4-42) Umgebung für elektrische Geräte
- Gasversorgung -Gasleitungen in Gebäuden - Höchste Verkehrsdruck  $\leq 5$  BarVerkehrsansprüche,
- § 10 des Gesetzes Nr.185/2001 Sb., der Abfälle betrifft.

## **DER ELEKTRISCHE KABELNETZANSCHLUSS**

Die Installation der elektrischen Ankupplung - Diese Zuleitung muß selbstständig gesichert werden. Und das durch entsprechende Sicherung des Nennstromes in der Abhängigkeit am Anschlußwert des installierten Gerätes. Kontrollieren sie den Anschlußwert des Apparates auf dem Produktionsschild im Hinterteil des Gerätes. Schließen Sie das Gerät direkt ans Netz an.

Es ist unbedingt notwendig zwischen das Gerät und das Netz einen Schalter zu legen, der eine minimale Entfernung von 3mm unter den Einzelkontakten aufweist und der auch den geltenden Normen und Belastungen entspricht. Die Erdungszuleitung (gelbgrün) darf nicht durch diesen Schalter unterbrochen sein.

Der Zuleitungskabel muß in jedem Fall so angebracht sein, dass er in keinem Punkt einer um 50°C höherer Temperatur als Umgebungstemperatur nicht erreicht. Eher das Gerät ans Netz angeschlossen wird, versichern Sie sich, dass:

- die Zuleitungssicherung und die Innenscheidung die Einrichtungsbelastung ertragen (siehe Matriceschild),
- die Verteilung mit wirksamer Erdung laut Normen (EN) und Gesetzbedingungen ausgestattet ist

**WIR VERZICHTEN AUF JEGLICHE VERANTWORTUNG IM FALLE, DASS DIESE NORMEN NICHT RESPEKTIERT WERDEN UND IM FALLE DER NICHEINHALTUNG DER OBENERWÄHNTER GRUNDSÄTZE.**

Es ist notwendig die Schutzfolie vor der ersten Benützung zu beseitigen, sowie das Gerät zu reinigen siehe das Kapitel „Reinigung und Instandhaltung“.

## GEBRAUCHSANWEISUNG:

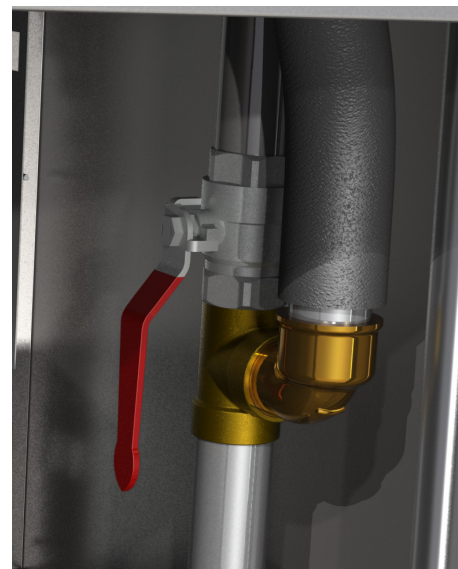
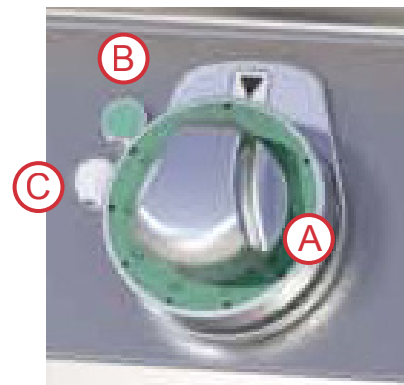
### Vorsicht!

Bevor Sie das Gerät verwenden werden, ist es notwendig ihn gut mit feuchtem Lappen abzuwaschen. Lassen Sie nie das Gerät ohne Aufsicht im Betrieb.

Das Wasser wird mittels des Einlassventils eingelassen, das sich an der vorderen Platte befindet. Das erste Einlassen ist allmählich durchzuführen, da sich im Wassersystem Luft befindet, was ein heftiges Herausspritzen des Wassers aus dem Einlassbügel zur Folge haben kann. Füllen Sie das Gerät mit Wasser bis zum Strich an der Seitenwand oder cca 3 cm über den Boden. Schalten Drehen Sie den Regler (A) aus der Position „0“ in den von Ihnen geforderten Wert im Bereich von 30°C - 110°C. Die Kontrollampen (B) wird leuchten. Der Hauptschalter (B) leuchtet, wenn das Gerät elektrisch angeknüpft ist. Die Kontrolleuchte (C) leuchtet, wenn die Wärmespiralen in Betrieb sind. Die Kontrollampe (C) löscht, wenn das Gerät die eingestellte Temperatur erreicht hat. Da Gerät wird ausgeschaltet, wenn man den Regler (E) in die Position „0“. Der Wasserspiegel ist ständig zu überprüfen. Das Gerät darf niemals ohne Wasser benutzt werden. Das Gerät muß immer unter Aufsicht sein und voll mit Gastrogefäßen besetzt sein.

## ABLASSEN DER WANNE

Das Wasser muß aus der Wanne kühl ausgegossen werden und das Gerät darf nicht elektrisch angeknüpft sein. Es muß ein angemessener Wasserbehälter fürs Wasser aus dem Gerät besorgt werden. Dieser Behälter muß aus einem wärmebeständigen Werkstoff bestehen und muß so stehen, daß das Wasser nicht verspritzt und gefährlich sein kann. Das Abflußrohr anbringen, die Sicherung gegen eine Öffnung in Richtung hinauf ansetzen und den Hahn öffnen. Die Wanne auslassen, wenn das Wasser kühl ist. Das Ablassen des Wassers aus der Wanne erfolgt mittels des Ablassventils, das sich im Innern des Untersatzes befindet. Das Abflußrohr ist unter der Einrichtung herausgeführt und das Wasser fließt direkt auf den Boden. Am Ende des Rohres ist ein Gewinde G1“, an welches ein weiteres Abflußrohr angeschlossen werden kann.



## **DIE REINIGUNG UND INSTANDSHALTUNG**

**ACHTUNG!** Die Einrichtung darf nicht mit Direkt-, oder Druckwasserstrahl gereinigt werden. Reinigen Sie das Gerät täglich. Die Lebensdauer und Gerätewirkung wird durch die tägliche Wartung gewährleistet. Überzeugen Sie sich, vorm Reinigungsanfang, dass Sie die Einrichtung vom Elektrostrom abgeschaltet haben. Schalten Sie immer die Gerätehauptzufuhr ab. Waschen Sie die Edelstahlteile mit feuchtem Waschlappen, der im Waschpulver getauft ist und keine grobe Teilchen aufweist. Wischen Sie alles ins Trockene ab. Verwenden Sie keine abrasive- oder korrosionsreiche Reinigungsmitteln.

### **WIE MAN IM FALLE EINER STÖRUNG VORANGEHEN SOLL**

Schalten sie die elektrische Stromleitung ab und rufen die Serviceorganisation des Verkäufers an.

### **HINWEIS**

Die Garantie bezieht sich nicht auf alle Verbrauchsteile, die der geläufiger Abnutzung unterstehen (gesamte Gummidichtungen, Glühlampen, alle glasernde und plastiche Teile, usw.). Die Garantie bezieht sich nicht weiterhin auf Einrichtungen, die durch befugte Person laut Anweisung und entsprechender Normen nicht installiert worden sind und wenn mit dem Gerät unfachmännisch manipuliert wurde (Eingriffe ins Innere) und auf Beschädigungen durch Natureinflüsse oder Ausseneingriffe.

### **Für die richtige Verwendung ist es somit erforderlich, einige einfache Maßnahmen einzuhalten:**

- 1) Lassen Sie die Körbe nach der Verwendung nie trocknen, ohne sie mit lauwarmem Wasser ab gespült zu haben.
- 2) Nach jeder Beendigung der Arbeit waschen Sie die Körbe sorgfältig mit lauwarmem Wasser unter Verwendung geeigneter Reinigungsmittel ab.
- 3) Geben Sie das Salz nicht direkt in die Körbe.
- 4) Verwenden Sie keine groben Mittel (Schwämme usw.).

Hinweis: Beim Waschen der Körbe widmen sie besondere Aufmerksamkeit jenen Stellen, an denen Lücken auftreten (Schweißnähte, Gitterverbindungen mit tragendem Teil usw.). An diesen Stellen setzt sich die Salzlösung ab, die mit der Zeit eine Korrosionsbildung verursachen kann.

Anmerkung: Bei der Reinigung von Edelstahlteilen verwenden Sie keine Mittel, die Chlor und dessen Derivate enthalten.

# DÉCLARATION DE CONFORMITÉ

Le fabricant certifie la conformité des appareils aux normes 2004/108/ES, 2006/95/ES, 2006/95/ES à la loi n° 616/2006 sb., 17/2003 sb. et aux décrets applicables. L'installation doit être effectuée dans le respect des normes en vigueur. Attention: le fabricant décline toute responsabilité en cas de dommages, directs ou indirects, causés par une mauvaise installation, par une utilisation, des interventions ou des modifications impropres, par un entretien insuffisant, ainsi qu'en cas de dommages dérivant des causes mentionnées dans les conditions de vente. L'appareil objet de la présente notice est prévu pour un usage professionnel, aussi son utilisation doit-elle être confiée à un personnel possédant les compétences nécessaires à cet effet. L'utilisateur ne doit procéder à aucune intervention ni à aucune modification sur les parties réglées et protégées par le fabricant ou autre personnel autorisé à cet effet.

## CARACTÉRISTIQUES TECHNIQUES

L'étiquette sur laquelle figurent les caractéristiques techniques est apposée sur la partie postérieure de l'appareil. Avant de procéder à l'installation, prendre connaissance du schéma électrique et de toutes les informations que contient la présente notice.

MODEL	TENSION (V/HZ)	PUISSANCE (KW)	DIMENSIONS (CM)
VT-740 E	400 / 50	7,5	40 x 73 x 85 v
VT-780 E	400 / 50	2x 7,5	80 x 73 x 85 v

## CONTROLE DE L'EMBALLAGE ET DE L'APPAREIL

En vue de son transport, l'appareil quitte les établissements du fabricant parfaitement emballé (sur l'emballage sont apposés les étiquettes et les symboles nécessaires à cet effet). L'emballage contient également la notice des instructions d'utilisation. Dans le cas où l'emballage présenterait des dommages ainsi que dans le cas où il s'avérerait qu'il a été manipulé sans les précautions nécessaires, il est impératif d'adresser sans attendre une déclaration au transporteur en y joignant une acceptation de la marchandise sous réserve.

### Recommandation importante:

- Pour usage professionnel seulement
- La présente notice des instructions d'utilisation et d'entretien contient d'importantes informations relatives à la sécurité, à l'installation et à l'utilisation; il est nécessaire d'en effectuer attentivement la lecture.
- Les recommandations se réfèrent à l'appareil objet de la présent notice.
- L'appareil est conforme aux normes en vigueur.
- Veiller à bien conserver la notice de telle sorte qu'elle puisse être consultée à tout moment en cas de besoin.
- Ne pas laisser des enfants s'approcher de l'appareil durant son utilisation.
- Pendant la vente ou après le déménagement de l'appareil vérifier que le personnel lise attentivement la présente notice d'utilisation
- L'appareil ne peut être utilisé que par le personnel instruit
- L'appareil ne peut être laissé en marche sans surveillance
- Il est recommandé de faire l'appareil contrôler au moins une fois par an dans un service spécialisé
- Ne pas utiliser que des pièces détachées originelles.
- En cas de défaut ou de mavaise fonction, débrancher l'appareil (eau, gaz, électricité) et appeler un service spécialisé
- Le fabricant décline toute responsabilité en cas de dommages, directs ou indirects, causés par une mauvaise installation, utilisation , etc



## **LA LOCATION**

Le local dans lequel l'appareil est installé doit être bien ventilé. Si l'appareil doit toucher le parois, celui-ci doit résister à la chaleur de 90°C au minimum. L'installation, le réglage et la mise en marche doivent être effectués par une personne qualifiée ayant une autorisation nécessaire selon les normes en vigueur.

Déballez l'appareil et vérifiez s'il n'était pas endommagé pendant le transport. Placez l'appareil sur une surface horizontale (pente maximale de 2°). Placez l'appareil sous une hotte pour éliminer la vapeur et mauvaise odeur.

L'appareil peut être installé seul ou en série avec d'autres appareils de notre fabrication. Il faut respecter la distance minimale de 10 cm entre l'appareil et d'autres objets ainsi qu'éviter le contact avec les matériaux inflammables. Dans ce cas il faut prévoir les arrangements nécessaires pour assurer la protection des parties inflammables.

## **INSTRUCTIONS TECHNIQUES POUR INSTALLATION ET REGLEMENT**

### **Important:**

Le fabricant ne fournit pas de garantie pour les défauts causés par l'usage, tout manquement impropre aux instructions contenues dans les instructions ci-jointes pour l'utilisation et aux mauvais traitements des appareils.

Installation, réglage et réparation d'appareils pour les cuisines, ainsi que leur élimination en raison de dommages possibles au gaz peut être effectuée qu'en vertu d'un contrat de maintenance, ce contrat peut être signé avec un distributeur agréé, et doivent être conformes à la réglementation technique et normes et réglementations concernant l'installation, l'alimentation, de raccordement de gaz et de la santé et la sécurité du système.

Ces instructions sont destinées au technicien qualifié qui doit effectuer l'installation, le mettre en marche et tester l'appareil.

Toute activité en tant que paramètres, le placement, le rééquilibrage etc, doit être faite que lorsqu'il est périphérique déconnecté de l'électricité. Si il est nécessaire d'avoir le périphérique connecté à l'électricité, vous devez garder la plus grande attention afin d'éviter toute blessure.

## MÉSURES DE SÉCURITÉ POUR LA PROTECTION CONTRE INCENDIE SELON EN 06 1008 ARTICLE 21:

- l'appareil ne peut être utilisé que par des personnes majeures
- l'appareil peut être utilisé dans un espace ordinaire selon EN 332000-4-482; 332000-4-42
- l'appareil doit être placé ou suspendu d'une manière stable sur une surface ininflammable

Il est interdit de placer sur l'appareil ou dans la distance inférieure à 10 cm de l'appareil des objets inflammables.

- les distances de sécurité pour les matériaux inflammables selon leurs degré d'inflammabilité et les informations sur l'inflammabilité des matériaux de construction – voir le tableau

### Tableau:

degré d'inflammabilité d'un matériel de construction (EN 730823)

A ininflammables	granit, grès, béton, briques, carrelage céramique, enduit
B difficilement inflammables	acumin, héraclite, lihnos, itaver
C1 mal inflammables	bois des arbres feuillus, contre-plaqué, papier durci, umakart
C2 inflammabilité moyenne	aggloméré, solodur, liège, caoutchouc, revêtements
C3 inflammabilité facile	planches de fibre de bois, polystyrène, polyurethane, PVC

L'appareil doit être installé d'une manière sûre. Pour l'ajustage de l'appareil est ce-ci procuré des pieds réglables.

- EN 06 1008 protection contre incendie des consommateurs d'énergie locaux et des émetteurs de chaleur

## BRANCHEMENT ÉLECTRIQUE

Installation de prise de courant – La prise de courant doit avoir un coupe-circuit indépendant en dépendance de puissance fournie de l'appareil. Vérifiez la puissance de l'appareil sur la plaque des caractéristiques techniques.

Branchez l'appareil directement au réseau, il faut mettre un interrupteur entre le réseau et l'appareil, son ouverture de contacts étant 3 mm au minimum. Câble de terre (vert-jaune) ne peut pas être interrompu par cet interrupteur. En tout cas, le câble de prise de courant doit être placé de telle manière que sa température ne surpasse jamais la température du milieu de plus que 50°C. Avant le branchement au réseau, s'assurer que :

- le coupe-circuit et distribution intérieure peuvent endurer la charge de l'appareil (voir la plaque)
- la mise à la terre fonctionne selon les normes en vigueur (EN) et selon la loi
- la prise ou l'interrupteur de circuit sont faciles d'accès

Le fabricant rénonce à toute responsabilité en cas que les normes ne seront pas respectés ainsi qu'en cas de dérogation des règles mentionnés ci-haut.

**Avant la première utilisation**, il faut retirer le film de protection et nettoyer l'appareil – voir chapitre « nettoyage et entretien ».

### Entretien:

Il est recommandé de faire contrôler l'appareil dans un service spécialisé au moins une fois par an. Toutes les interventions peuvent être effectuées seulement par une personne qualifiée ayant une autorisation pour ces interventions.

## MODE D'EMPLOI

### Attention !

Avant la première utilisation, il faut laver l'appareil à l'aide d'un torchon humide et d'un détergent. Rincer et sécher.

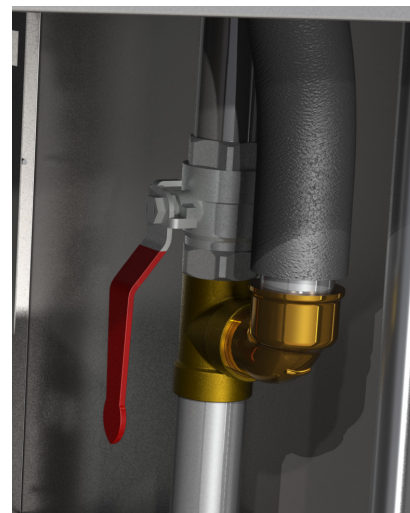
La vanne d'arrivée d'eau est située sur le panneau avant. Il faut remplir le bain-marie avec précaution, en raison de la présence de bulles d'air dans la tuyauterie, qui risqueraient de provoquer une brusque arrivée d'eau au niveau du bec de robinet. Remplir l'appareil d'eau jusqu'au trait sur le côté du bac. Tourner le dispositif de commande (A) de la position « 0 » à la position marquant la température désirée (entre 30°C et 110°C). Le témoin lumineux (B) va être allumée. L'interrupteur principal (B) brille quand l'appareil est sous le courant. Le témoin lumineux (C) brille quand les résistances de chauffage travaillent. Le témoin lumineux (C) s'éteint quand la température désirée est atteinte. Pour éteindre l'appareil – tourner le dispositif de commande (A) jusqu'à la position « 0 ». Toujours vérifier le niveau d'eau, ne jamais utiliser l'appareil sans eau. À utiliser seulement sous surveillance et équipé des gastro-bacs correspondants.

### VIDANGE DU BAC

Vider le bac uniquement quand l'eau est froide et quand l'appareil est débranché. Se procurer d'un récipient approprié à recueillir l'eau. Ce récipient doit être en matériel résistant à la chaleur et doit être placé de telle manière que l'eau n'asperge pas le voisinage. Mettre le tuyau de vidange, lever la sécurité de vidange vers haut et bouger le levier vers le point marqué de signe du robinet ouvert. Vider uniquement quand l'eau est froide. L'écoulement de la cuve au bain-marie s'effectue à l'aide d'une soupape d'écoulement située à l'intérieur du soubassement. Le tuyau d'écoulement est situé sous la cuve et l'eau est évacuée directement au sol. À l'extrémité du tuyau se trouve le filetage G1 sur lequel on peut raccorder un autre tuyau d'écoulement.

### Comment procéder en cas de panne de l'appareil

Débrancher l'appareil et appeler le service spécialisé.



## **NETTOYAGE ET ENTRETIEN**

Il est recommandé de faire contrôler l'appareil dans un service spécialisé au moins une fois par an. Toutes les interventions peuvent être effectuées seulement par une personne qualifiée ayant une autorisation pour ces interventions.

**ATTENTION !** L'appareil ne peut pas être nettoyé sous l'eau courante ou de pression. Nettoyer l'appareil chaque jour. Nettoyage quotidien prolonge la vie et le fonctionnement de l'appareil. Avant le nettoyage vérifier, si l'appareil est débranché. Toujours débrancher l'alimentation principale. Les pièces en inox nettoyer à l'aide d'un torchon humide et un détergent sans particules abrasives, rincer, sécher. Ne jamais utiliser les produits abrasifs ou corrosifs.

### **Comment procéder en cas de panne de l'appareil**

Débrancher l'appareil et appeler le service spécialisé.

### **AVERTISSEMENT:**

La garantie ne concerne pas les bourrelets en caoutchouc, bulbes, parties en verre et en plastique. Elle ne concerne également pas tout l'appareil si l'installation n'a pas été effectuée par une personne qualifiée, selon le mode d'installation ou selon les normes en vigueur ou si l'appareil n'a pas été utilisé selon le mode d'emploi, s'il y avait des interventions nonprofessionnelles (interventions à l'intérieur de l'appareil). La garantie ne concerne pas les endommagements causés par la pluie, vent, etc.

### **Pour une bonne utilisation il est nécessaire de respecter quelques mesures simples :**

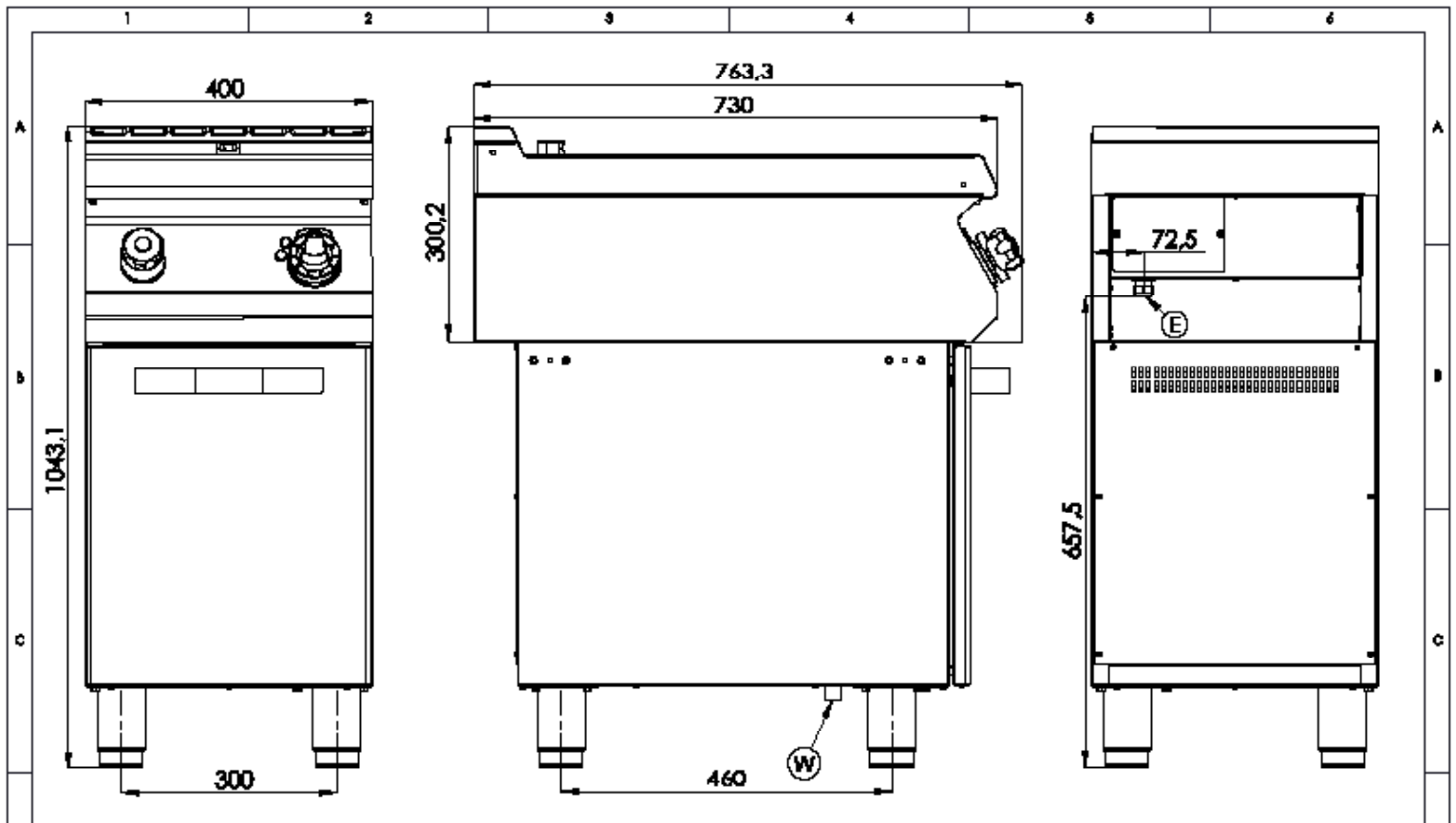
- 1) Ne jamais laisser sécher les paniers après l'utilisation, sans les laver avec de l'eau tiède.
- 2) Après la fin du travail, laver les paniers soigneusement avec de l'eau tiède en utilisant les détergents appropriés.
- 3) Ne jamais mettre du sel directement au contact des paniers.
- 4) Ne pas utiliser des produits abrasifs (petites éponges, etc.).

**Avertissement :** en lavant les paniers, porter une attention particulière aux endroits où se trouvent les attaches (soudages, liaison de la grille à la partie porteuse, etc.). Le sel de la solution se dépose dans ces parties ce qui peut à la longue causer la corrosion.

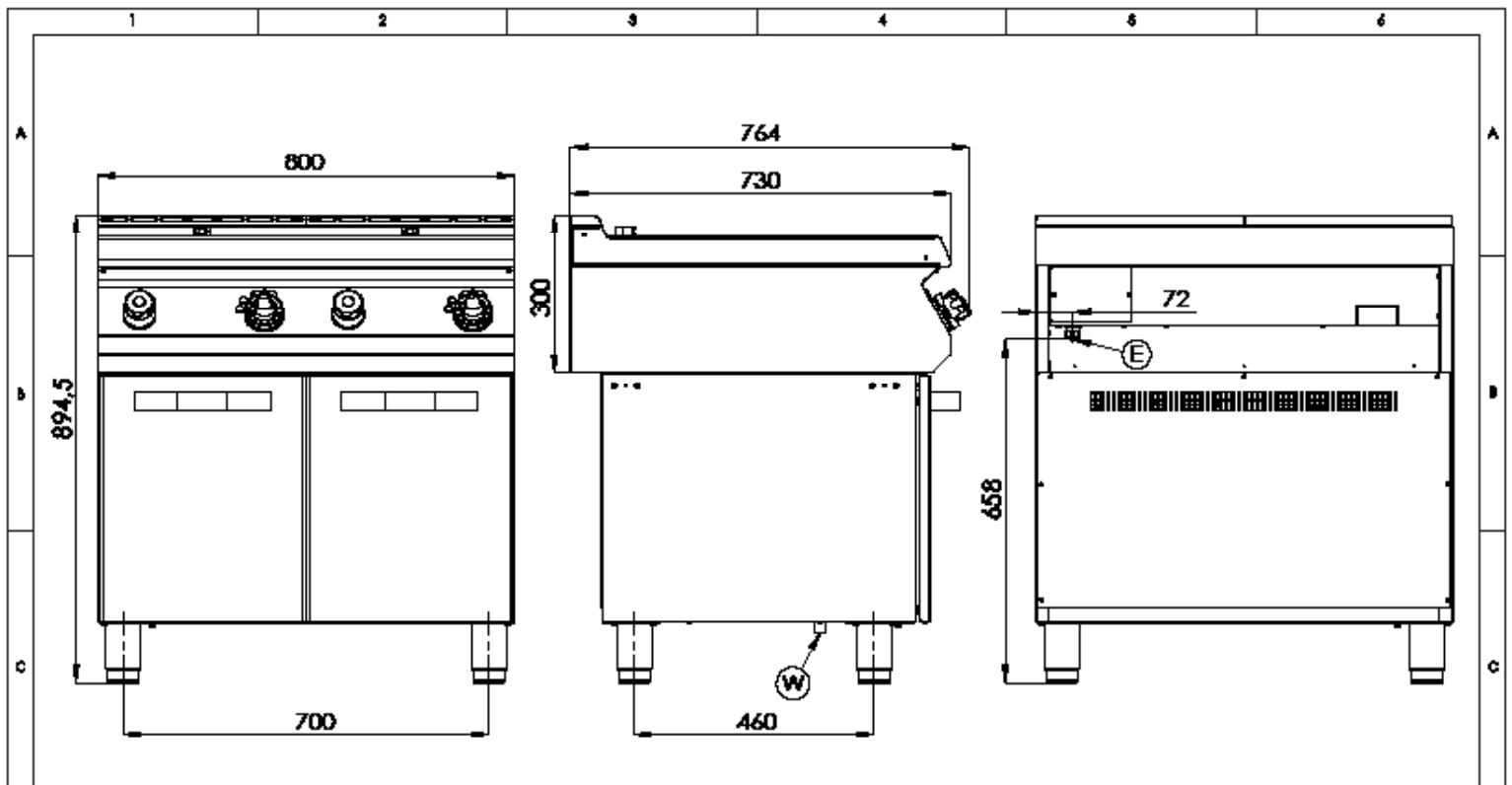
**Note :** Ne pas utiliser les produits contenant du chlore et ses dérivés en nettoyant les parties inoxydables.

**DIMENSION PLANS / MASSSKIZZEN / DIMENSIONS**

**VT-740 E**



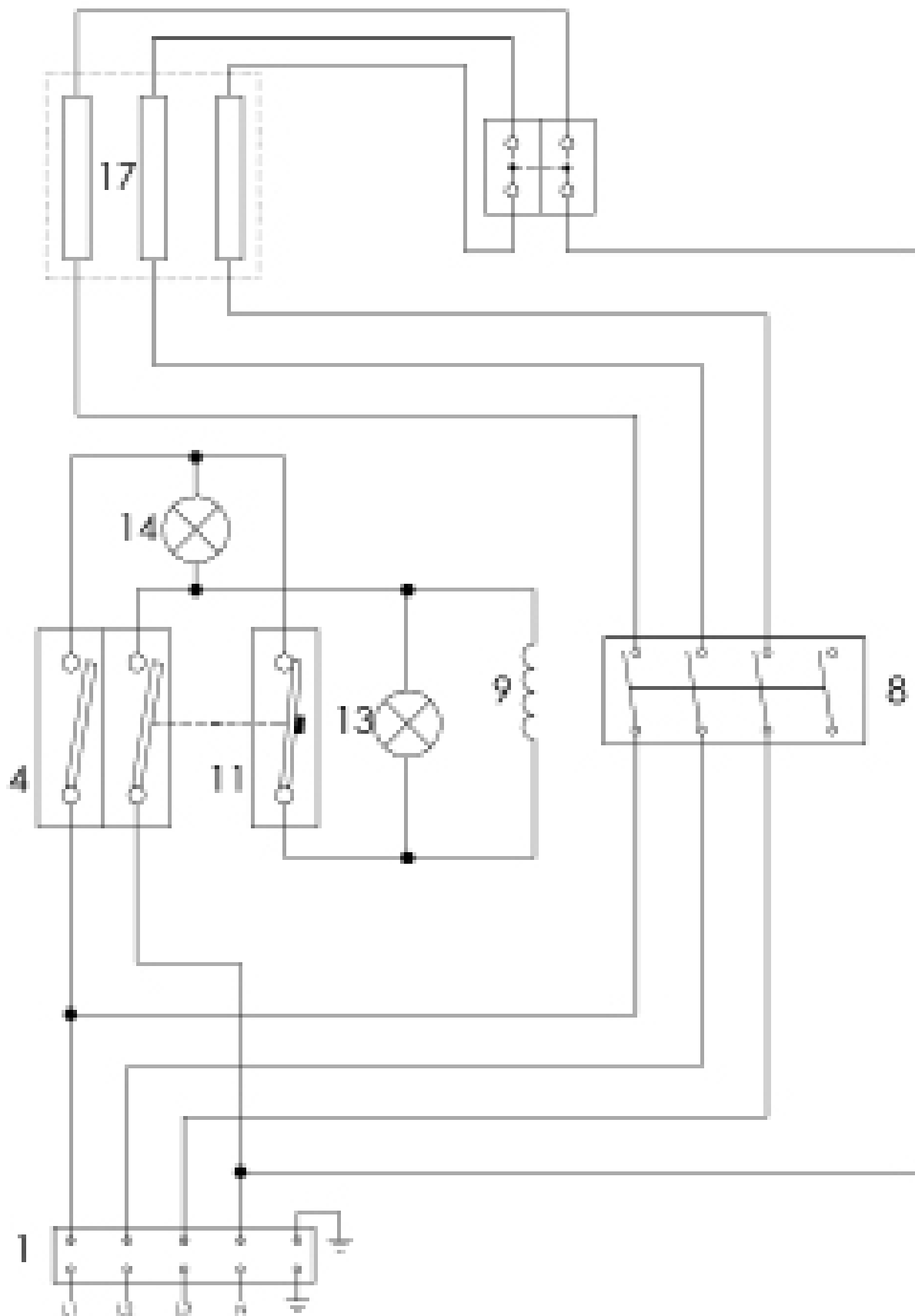
**VT-780 E**



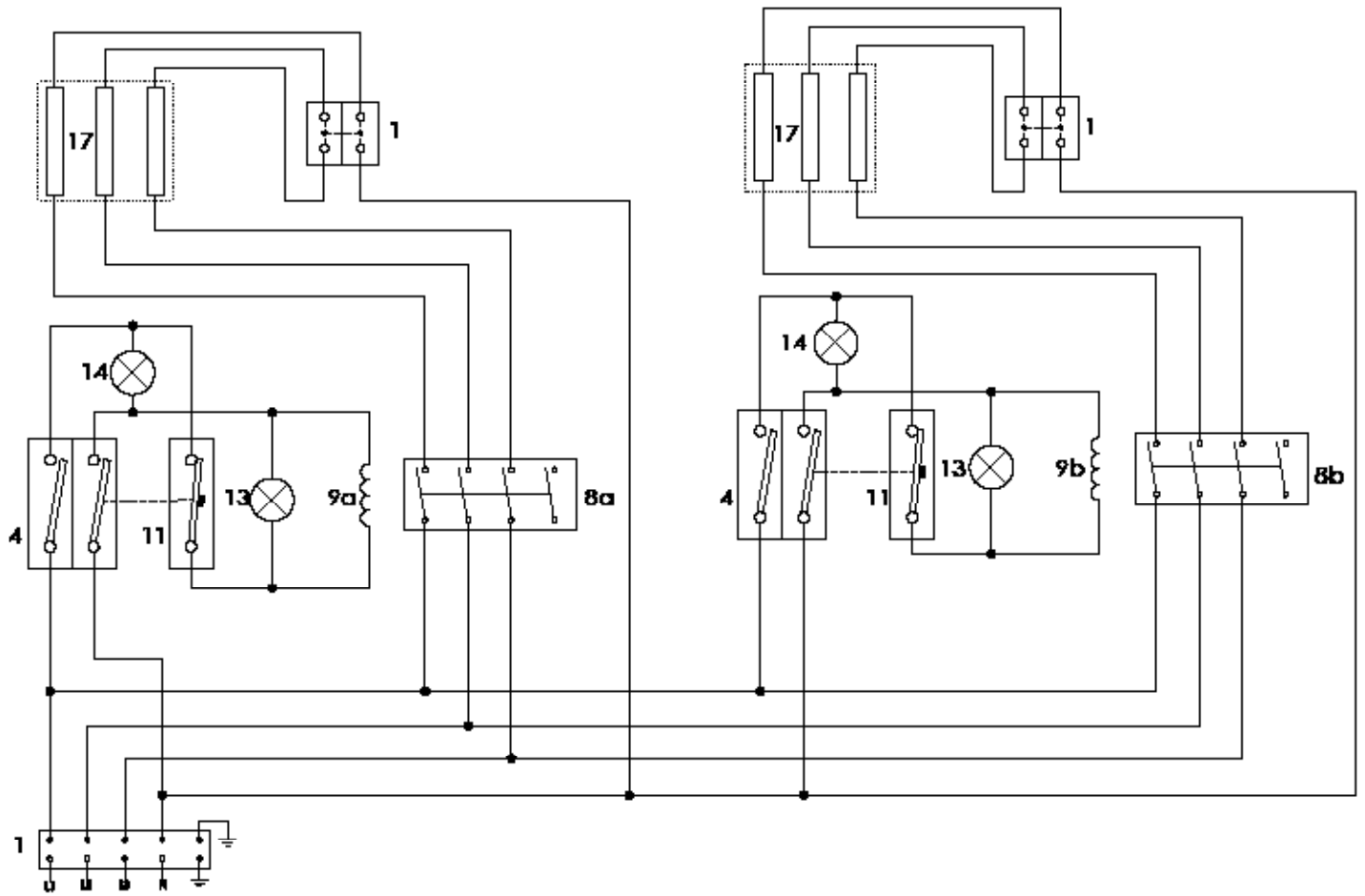


**EL. CONNECTION DIAGRAM / SCHALTPLAN / SCHÉMA DU ELECTRIQUE**  
**SP - 30/60**

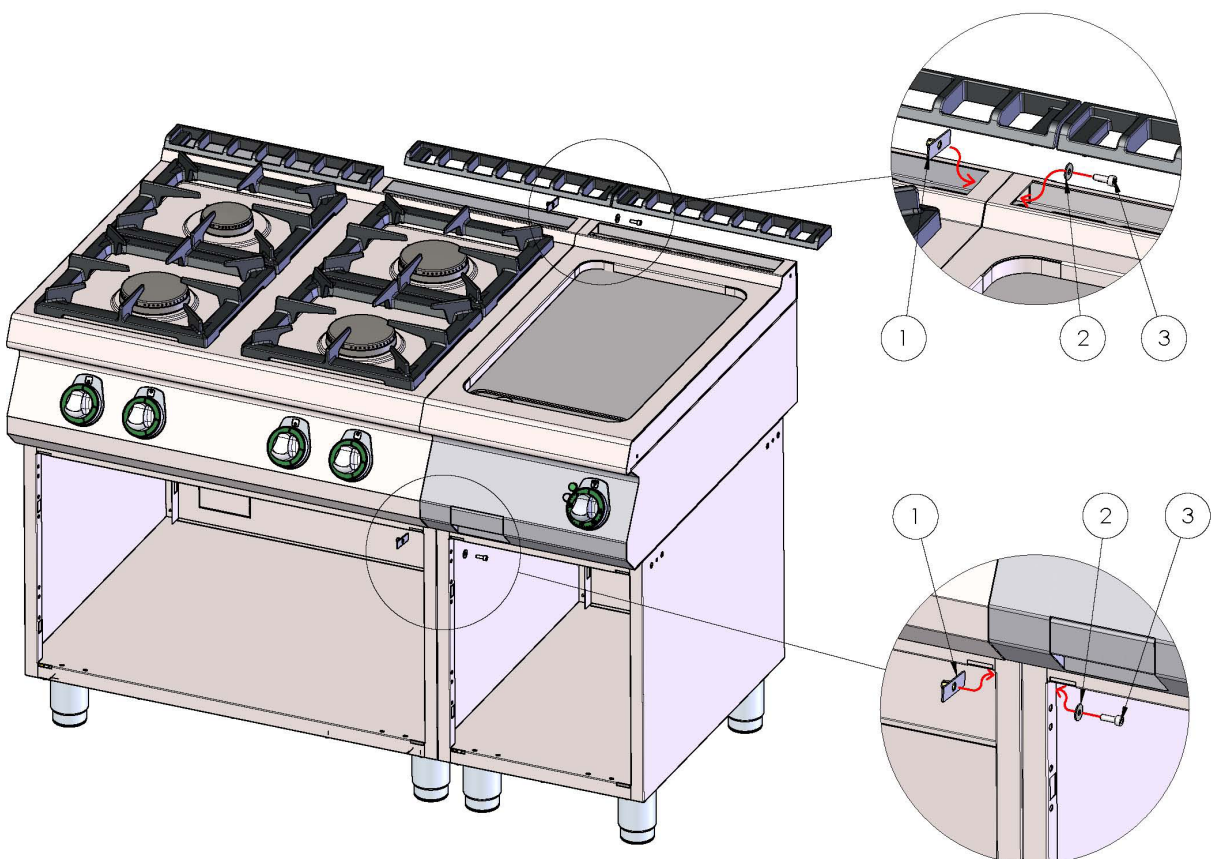
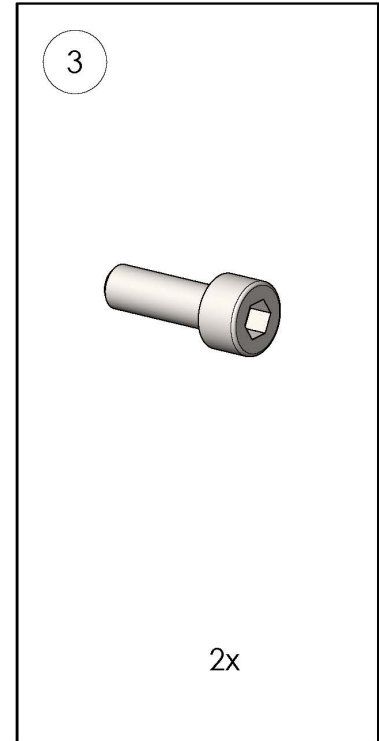
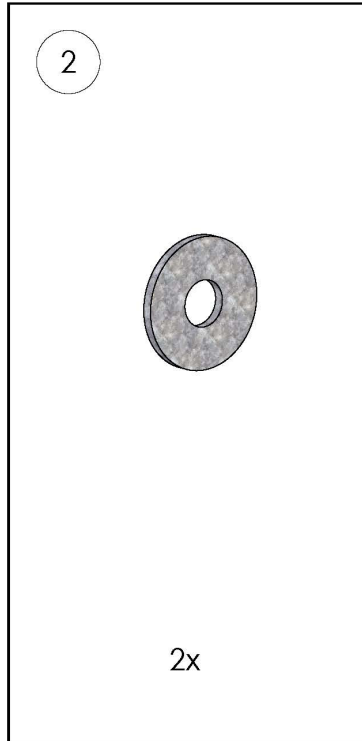
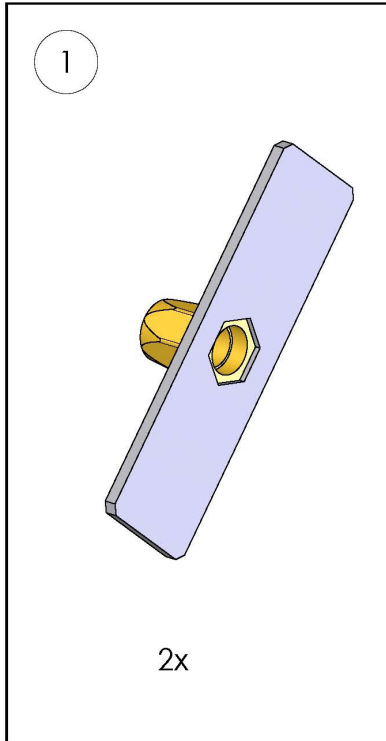
VT-740 E



# VT-780 E



# connection modules/ Anschlussmodule/ les modules de connexion



# PROHLÁŠENÍ O SOULADU S NORMAMI

Výrobce prohlašuje, že přístroje splňují základní požadavky směrnice 2004/108/ES (nařízení vlády č. 616/2006 Sb.) a požadavky směrnice 2006/95/ES (nařízení vlády č. 17/2003 Sb.).

Pozor, výrobce se vzdává jakékoli odpovědnosti v případě přímých i nepřímých poškození, které se vztahují ke špatné instalaci, nesprávným zásahem nebo úpravami, nedostatečnou údržbou, nesprávným používáním, a které jsou eventuálně způsobeny jinými příčinami, jež uvádí body uvedené v podmínkách prodeje. Tento spotřebič je určen pouze pro odborné používání a musí být obsluhován kvalifikovanými osobami. Části, které byly po nastavení zajištěny výrobcem nebo pověřeným pracovníkem, nesmí uživatel přestavovat.

## TECHNICKÁ DATA

Štítek s technickými údaji je umístěn na boku či zadním panelu přístroje. Před instalací si prostudujte elektrické schéma zapojení a všechny následující informace.

Typ výrobku	Napětí (V / Hz)	Příkon max. (kW)	Regulace teploty (°C)	Rozměr zařízení (cm)	Hmotnost (kg)	Provozní obsah náplně (l)
VT-740 E	400 / 50	7,5	30 - 110	40 x 73 x 85 v	43	20
VT-780 E	400 / 50	2x 7,5	30 - 110	80 x 73 x 85 v	61	2x 23

## KONTROLA OBALU A ZAŘÍZENÍ

Zařízení opouští naše sklady v řádném obalu, na kterém jsou odpovídající symboly a označení. V obalu se nachází odpovídající návod k obsluze. Jestliže by obal měl vykazovat špatné zacházení, známky poškození, musí se okamžitě reklamovat u přepravce a to sepsáním a podepsáním protokolu o škodě. Na pozdější reklamace nebude brán zřetel.

### Důležité upozornění

Tento návod musí být řádně a pozorně přečten, protože obsahuje důležité informace o bezpečnostních prvcích, instalaci a použití.

- Tato doporučení se vztahují na tento výrobek, nebo produktovou linii.
- Tento návod se musí řádně uschovat pro budoucí použití.
- Zabraňte dětem manipulovat s přístrojem.
- Při prodeji nebo přemístění je nutno se přesvědčit, že obsluha nebo odborný servis se seznámil s ovládáním a instalačními pokyny v přiloženém návodu.
- Výrobek smí obsluhovat pouze obsluha, která se seznámila s tímto návodem k použití.
- Nesmí být spuštěn bez dozoru.
- Doporučuje se kontrola odborným servisem minimálně 2x ročně.
- Při eventuální opravě nebo výměně dílů musí být použity originální náhradní díly.
- Výrobek se nesmí čistit proudem vody nebo tlakovou sprchou.
- Při poruše nebo špatném chodu výrobku je nutné odpojit veškeré přívody (voda, elektřina, plyn) a zavolat autorizovaný servis.
- Výrobce se vzdává jakékoli zodpovědnosti při poruchách způsobenými chybnou instalací, nedodržením shora uvedených doporučení, jiným užíváním apod.
- Přístroj se smí používat pouze k účelu, ke kterému je určený, jiné použití je zakázané a může vést ke vzniku nebezpečí či úrazu
- Musí být zajištěno nejprísnější dodržování pravidel protipožární ochrany

## UMÍSTĚNÍ

Ke správné činnosti a umístění spotřebiče je nutné dodržet následující směrnice dle norem TPG G 704 01, ČSN 127040 a ČSN 127010.

Rozbalte přístroj a zkontrolujte, zda se přístroj nepoškodil během přepravy. Umístěte přístroj na vodorovnou plochu (maximální nerovnost do 2°). Drobné nerovnosti lze vyrovnat regulovatelnými nožičkami.

Jestliže zařízení bude umístěno tak, že bude v kontaktu se stěnami nábytku, tyto musí odolávat teplotě až 60°C. Instalaci, seřízení, uvedení do provozu musí provést kvalifikovaná osoba, která má k takovýmto úkonům oprávnění a to dle platných norem.

Přístroj může být instalován samostatně nebo v sérii s přístroji naší výroby. Je nutno dodržovat minimální vzdálenost 10 cm od hořlavých materiálů. V tomto případě je nutné zabezpečit odpovídající úpravy, aby byla zabezpečena tepelná izolace hořlavých částí.

Spotřebič se musí instalovat pouze na nehořlavém povrchu nebo u nehořlavé stěny.

## BEZPEČNOSTNÍ OPATŘENÍ Z HLEDISKA POŽÁRNÍ OCHRANY PODLE ČSN 061008 ČL. 21

- obsluhu spotřebiče smí provádět pouze dospělé osoby
- spotřebič smí být bezpečně používán v souladu s normami:  
ČSN 33 2000-4-482: Ochrana proti požáru v prostorách se zvláštním rizikem nebo nebezpečím  
ČSN 33 2000-4-42: Ochrana před účinky tepla

- spotřebič je nutné umístit tak, aby stál nebo visel pevně na nehořlavém podkladu

**Na spotřebič a do vzdálenosti menší než bezpečná vzdálenost od něho nesmějí být kladeny předměty z hořlavých hmot (nejmenší vzdálenost spotřebiče od hořlavých hmot je 10 cm).**

Tabulka: stupeň hořlavosti stavební hmoty zařazené do st. hořlavosti (ČSN 730823) hmot a výrobků

Stupeň hořlavosti	Stavební hmoty
A - nehořlavé	žula, pískovec, betony, cihly, keramické obkladačky, omítky
B - nesnadno hořlavé	akumin, heraklit, lihnos, itaver
C1 - těžce hořlavé	dřevo, listnaté, překližky sirkoklit, tvrzený papír, umakart
C2 - středně hořlavé	dřevotřískové desky, solodur, korkové desky, pryž, podlahoviny
C3 - lehce hořlavé	dřevovláknité desky, polystyrén, polyureten, PVC

• informace o stupni hořlavosti běžných stavebních hmot uvádí tabulka níže. Spotřebiče musí být instalovány bezpečným způsobem. Při instalaci musí být dále respektovány příslušné projektové, bezpečnostní a hygienické předpisy dle:

- ČSN 06 1008 požární bezpečnost lokálních spotřebičů a zdrojů tepla
- ČSN 33 2000-4-482 ochrana proti požáru v prostorách se zvláštním rizikem nebo nebezpečím
- ČSN 33 2000-4-42 ochrana před účinky tepla



## INSTALACE

### **Důležité:**

Výrobce neposkytuje žádnou záruku na závady, vzniklé v důsledku nesprávného používání, nedodržování instrukcí obsažených v příloženém návodu k použití a špatným zacházením se spotřebiči.

Instalaci, úpravy a opravy spotřebičů pro velkokuchyně, tak jako i jejich demontáž z důvodu možného poškození přívodu plynu, mohou být prováděny pouze na základě smlouvy o údržbě, tato smlouva může být uzavřena s autorizovaným prodejcem, přičemž musí být dodržovány technické předpisy a normy a předpisy týkající se instalace, elektrického přívodu, plynové přípojky a bezpečnosti práce.

Technické instrukce pro instalaci a seřízení, k použití POUZE pro specializované techniky.

Instrukce, které následují, se obrací k technikovi kvalifikovanému pro instalaci, aby provedl všechny operace způsobem co nejkorektnějším a podle platných norem.

Jakákoli činnost spojená s regulací apod. musí být vykonána pouze se zařízením odpojeným ze sítě. Je - li nutno udržovat spotřebič pod napětím je nutno dbát nejvyšší opatrnosti.

Typ spotřebiče pro provedení odtahu je deklarován na typovém štítku, jedná se o spotřebiče typu A1.

## PŘIPOJENÍ ELEKTRICKÉHO KABELU DO SÍTĚ

Instalace elektrického přívodu - tento přívod musí být samostatně jištěn. A to odpovídajícím jističem jmenovitého proudu v závislosti na příkonu instalovaného přístroje. Příkon přístroje zkontrolujte na výrobním štítku na zadním panelu (či boku) přístroje.

Připojený zemnicí vodič musí být delší než ostatní vodiče. Přístroj připojte přímo na síť, je nezbytné vložit mezi spotřebič a síť vypínač s minimální vzdáleností 3mm mezi jednotlivými kontakty, který odpovídá platným normám a zatížením. Přívod uzemnění (žlutozelený) nesmí tímto spínačem být přerušen. Přístroj určený pro připojení do zásuvky, připojte do sítě pokud má zásuvka odpovídající jištění.

V každém případě přívodní kabel musí být umístěn tak, že v žádném bodě nedosáhne teploty o 50 stupňů vyšší než prostředí. Než bude spotřebič připojen do sítě, je nutné se nejprve ujistit, že:

- přívodní jistič a vnitřní rozvod snesou proudové zatížení spotřebiče (viz štítek matrice)
- rozvod je vybaven účinným uzeměním podle norem (ČSN) a podmínek daných zákonem
- zásuvka nebo vypínač v přívodu jsou dobře přístupné od spotřebiče
- elektrický přívod do zařízení musí být z olejovzdorného materiálu

**Vzdáváme se jakékoli zodpovědnosti v případě, že tyto normy nebudou respektovány a v případě porušení výše uvedených zásad.**

**Před prvním použitím musíte přístroj vyčistit viz. kapitola „čištění a údržba“. Spotřebič musí být uzemněn pomocí šroubu se značkou uzemnění.**



- Tato etiketa označuje uzemňovací bod zařízení

## PŘIPOJENÍ VODY

Připojení vody se provádí pomocí přívodní hadice se závitem G1/2. Připojení se provede po sejmutí předního panelu. Přívod vody musí být osazen samostatným uzávěrem, který je volně přístupný a v dosahu zařízení. Součástí zařízení je zpětný ventil.

- Tvrdost vody musí být v rozsahu 0,5 - 5 ° francouzských stupňů. Nad tuto hodnotu je nutné použít změkčovač.
- Tlak vody musí být v rozsahu 50 - 250kPa.
- Obsah chloru ve vodě nesmí být vyšší než 10ppm, jinak hrozí poškození povrchu vany.
- Kyselost vody musí být nad 7 pH.
- Elektrická vodivost: 50 - 2000uS/cm(20°C)
- Připojení musí být v souladu s EN 1717 a s platnými národními předpisy pro vodní hospodářství.

## NÁVOD K POUŽITÍ

**Pozor! Než-li začnete přístroj používat, je nutné z celého povrchu sejmout ochranné fólie, a pak jej dobře omýt vodou se saponátem na nádobí, a poté otřít vlhkým hadrem.**

Voda se napouští pomocí napouštěcího ventilu, který je umístěn na předním panelu. První napouštění je třeba provádět pozvolna, protože vodní soustava je zavzdušněná a může dojít k prudkému vytrysknutí vody z napouštěcího ramínka.

Naplňte přístroj vodou po rysku na boční straně vany. Zapněte otočením ovladače (A). Otočte ovladačem (A) z polohy „0“ na vámi požadovanou hodnotu v rozpětí 30°C - 110°C. Kontrolka (B) bude svítit. Kontrolka (C) svítí, pokud jsou v chodu tepelné spirály. Kontrolka (C) zhasne, pokud je přístroj vyhřátý na nastavenou teplotu. Přístroj vypnete, když otočíte ovladačem (A) do polohy „0“. Neustále kontrolujte hladinu vody, nikdy nepoužívejte přístroj bez vody. Používejte přístroj pouze pod dohledem a plně osazený varnými koši.

## VYPOUŠTĚNÍ VANY

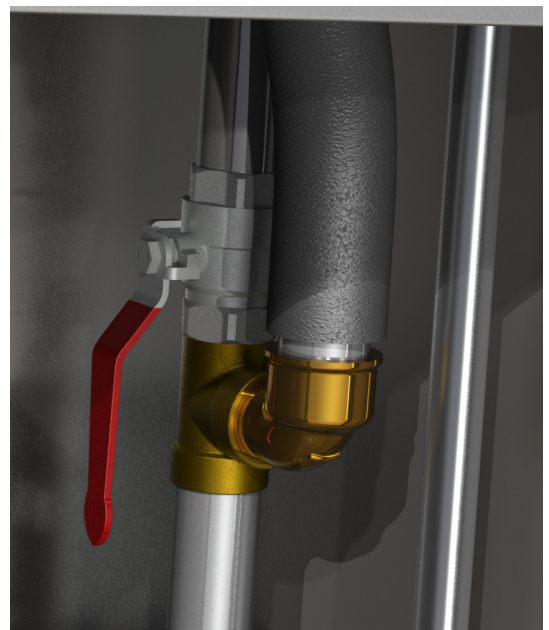
Vanu vylévejte pokud je voda nižší než 60 °C a přístroj je odpojen od elektrického proudu. Uživatel se musí vybavit vhodnou nádobou na vypouštění vody z vany. Tato nádoba musí být z tepelně odolného materiálu a musí být postavena tak, že voda nebude stříkat a tím nebude způsobovat nebezpečí. Vypouštění vody z vany se provádí pomocí vypouštěcího ventilu, který se nachází uvnitř podestavby. Odpadní trubka je vyvedena pod zařízením a voda vytéká přímo na zem. Na konci trubky je závit G1“, na který je možné připojit další odpadní potrubí.

# OVLÁDÁNÍ



- Ⓐ Ovládací knoflík
- Ⓑ Kontrolka chodu zařízení
- Ⓒ Kontrolka vyhřátí
- Ⓓ Napouštěcí ventil
- Ⓔ Vypouštěcí ventil

## Detail vypouštěcího ventilu



## ČIŠTENÍ A ÚDRŽBA

POZOR! Zařízení se nesmí čistit přímou nebo tlakovou vodou. Čistěte zařízení denně, odpojené od energie a vychladlé. Denní údržba prodlužuje životnost a účinnost zařízení. Před započatím čištění se přesvědčte, jestli jste odpojili zařízení od elektrického proudu. Vždy vypněte hlavní přívod k zařízení. Nerezové části omyjte vlhkým hadrem se saponátem bez hrubých částec, poté vše otřete do sucha, zejména okolí regulačního knoflíku, hlavního vypínače, kabelové průchodky, přívodní kabel, mikrospínače a dosedací lišty. Nepoužívejte abrasivní nebo korosivní čisticí prostředky.

Po každém použití vypláchněte vanu, omyjte topná tělesa a koše, jinak může dojít ke korozi těchto komponentů.

### JAK POSTUPOVAT V PŘÍPADĚ PORUCHY

Vypněte elektrický přívod a zavolejte servisní organizaci prodejce.

## UPOZORNĚNÍ

Záruka se nevztahuje na všechny spotřební díly podléhající běžnému opotřebení (gumová těsnění, žárovky, skleněné a plastové díly atd.) a díly vyžadující pravidelné seřízení (např. termostaty). Záruka se též nevztahuje na zařízení pokud není provedena instalace v souladu s návodem – oprávněným pracovníkem dle odpovídajících norem a pokud bylo se zařízením neodborně manipulováno (zásahy do vnitřního zařízení) nebo bylo obsluhováno nezaškoleným personálem a v rozporu s návodem k použití, dále se záruka nevztahuje na poškození přírodními vlivy či jiným vnějším zásahem a při nedodržování zásad pravidelného čištění a údržby.

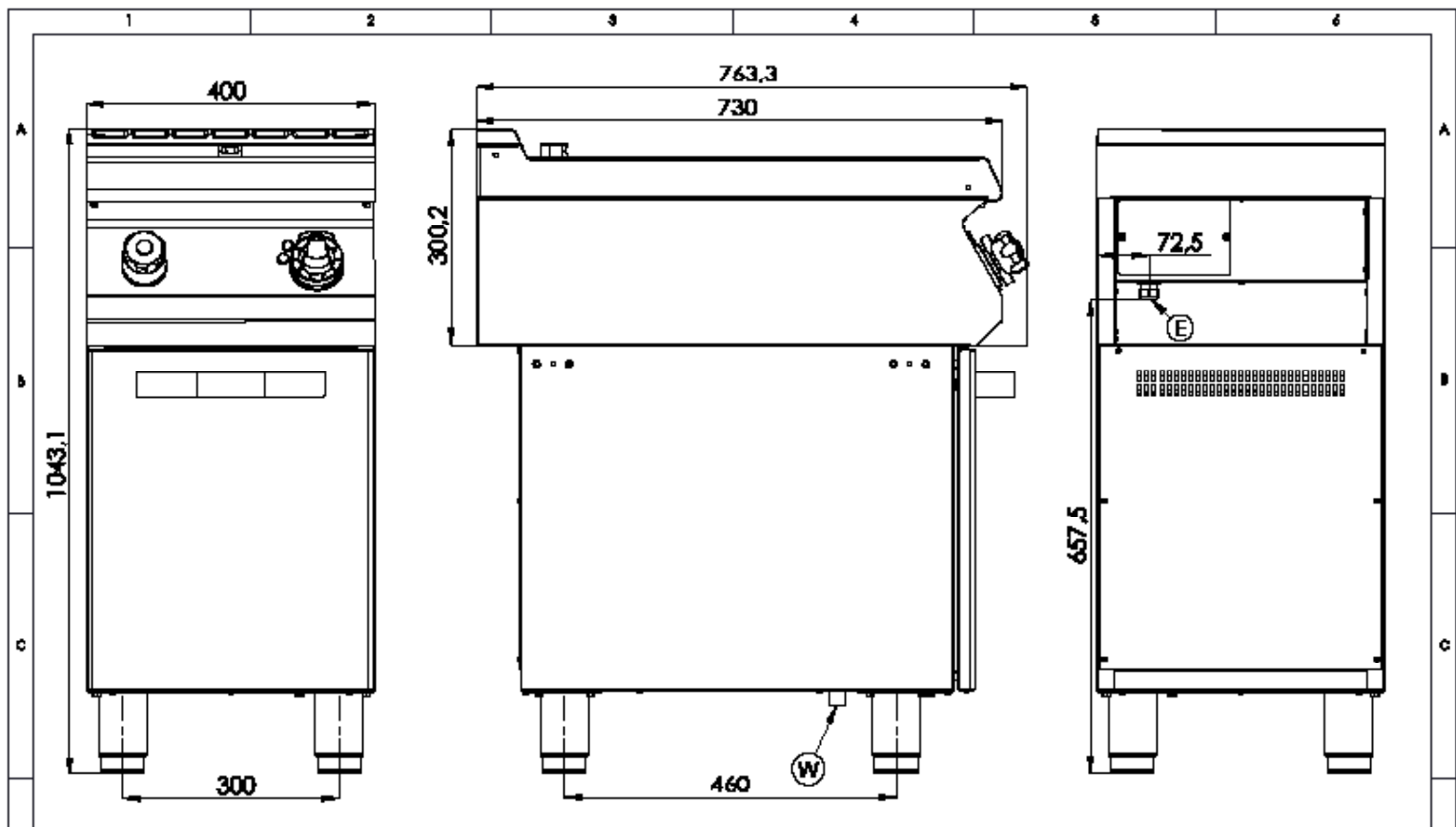
### ZPŮSOB VYUŽITÍ A LIKVIDACE ODPADŮ:

Obal zařízení prodejte sběrným surovinám, přebalové folie dejte do sběrných kontejnerů na plasty. Zařízení po ukončení životnosti odevzdejte do sběru, dle předpisů a o nakládání s odpadem a nebezpečným odpadem.

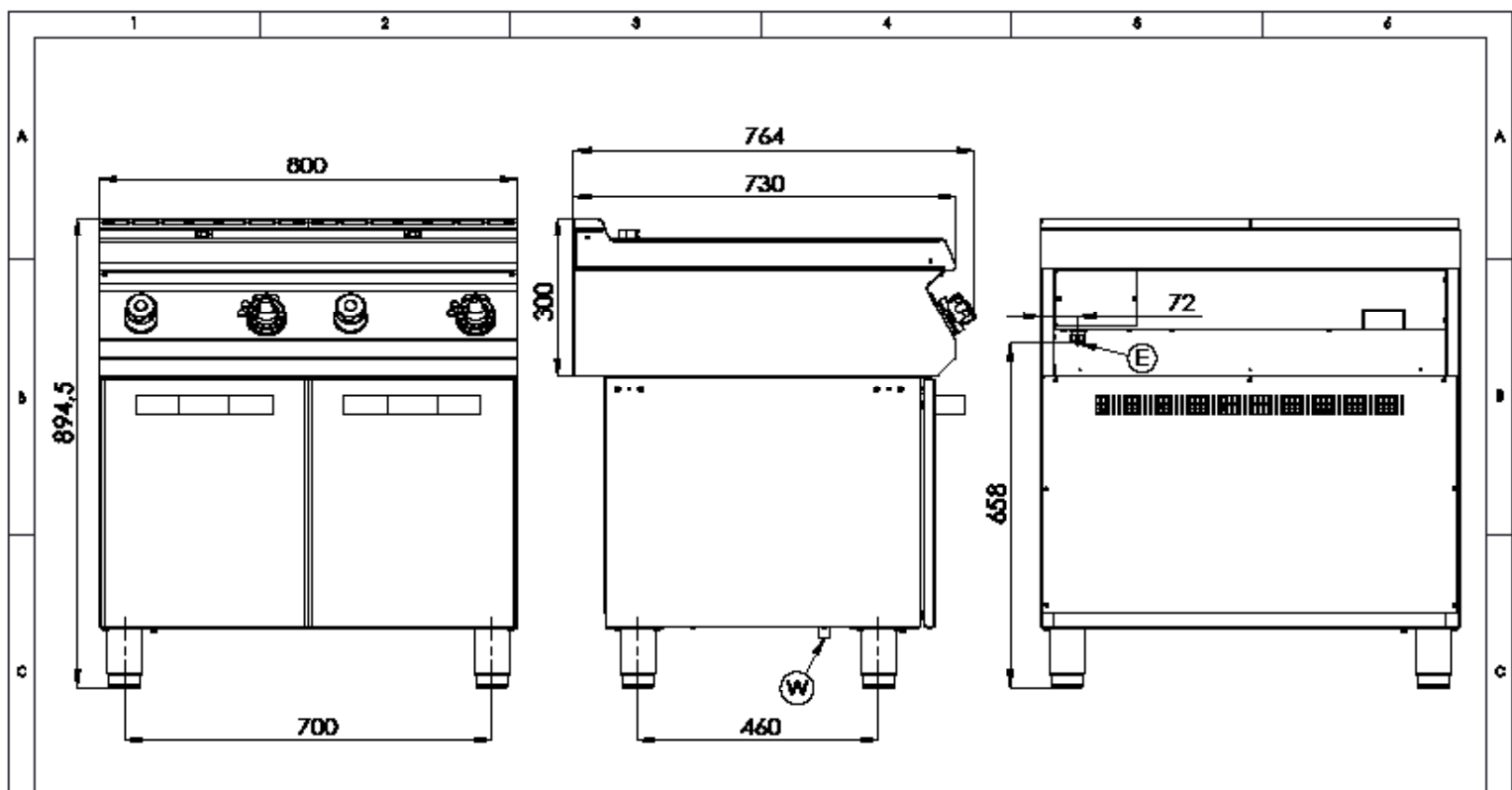


# ROZMĚROVÝ OBRÁZEK VT

## VT-740 E

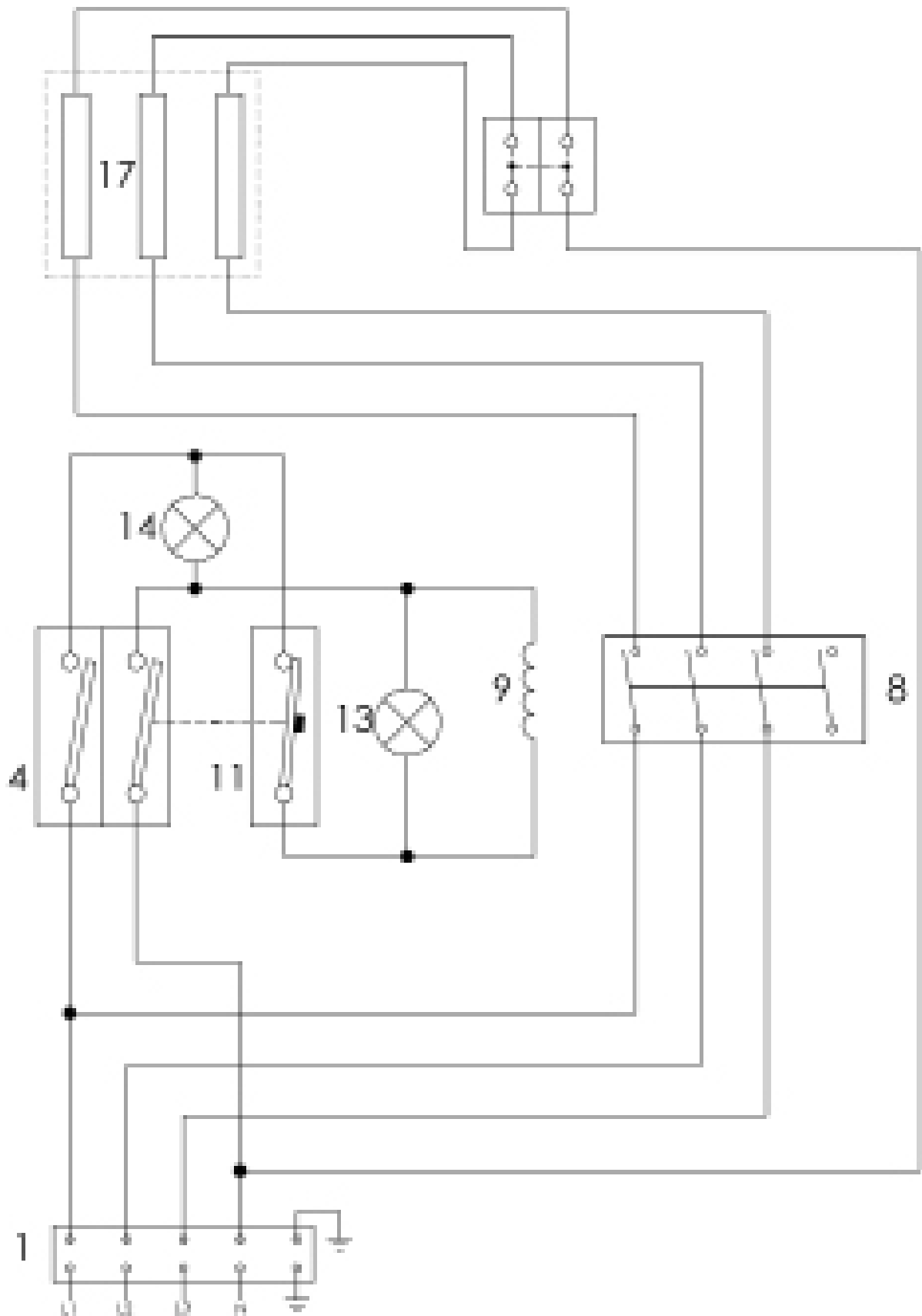


## VT-780 E

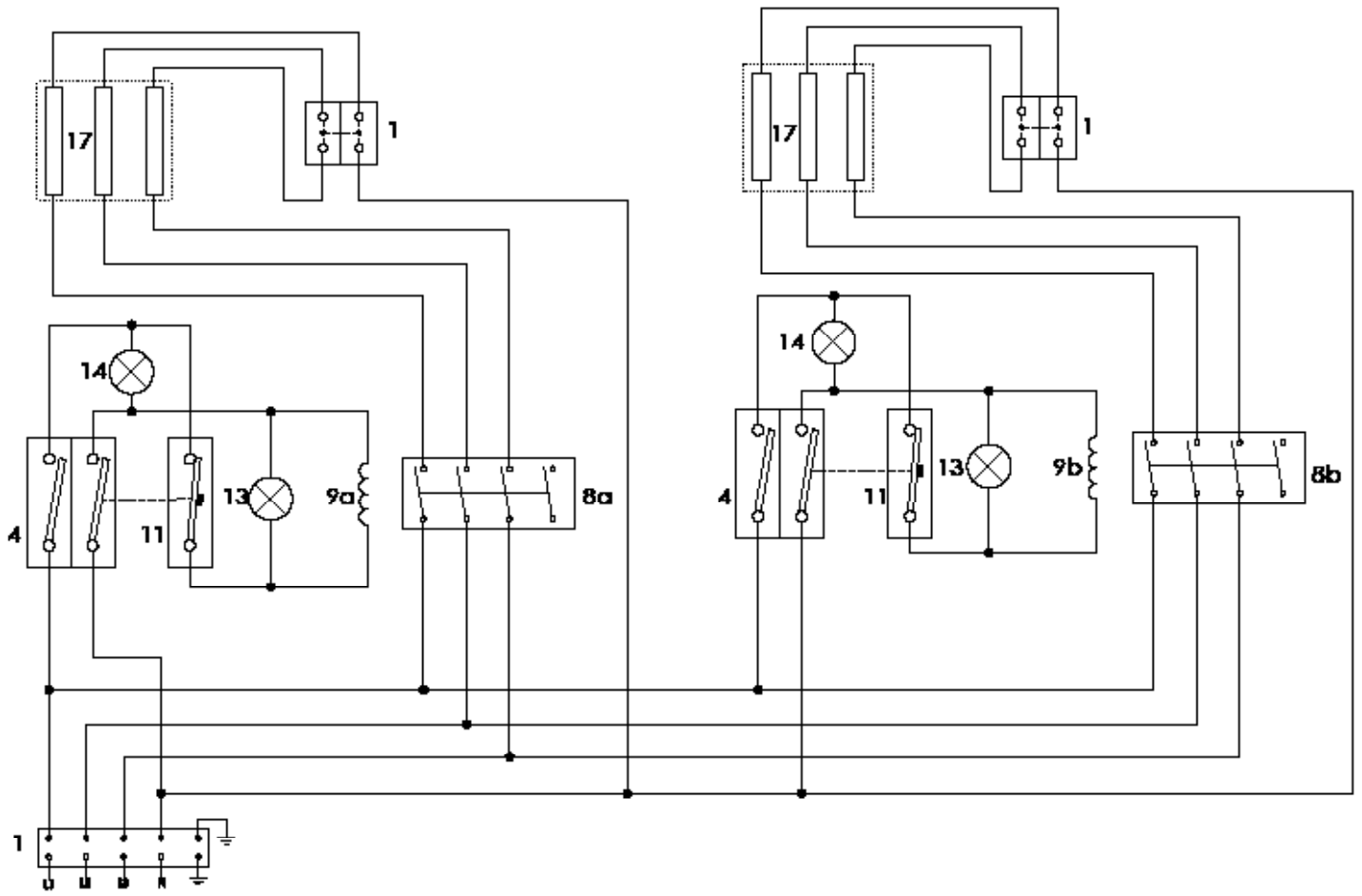


# SCHÉMA ZAPOJENÍ VT

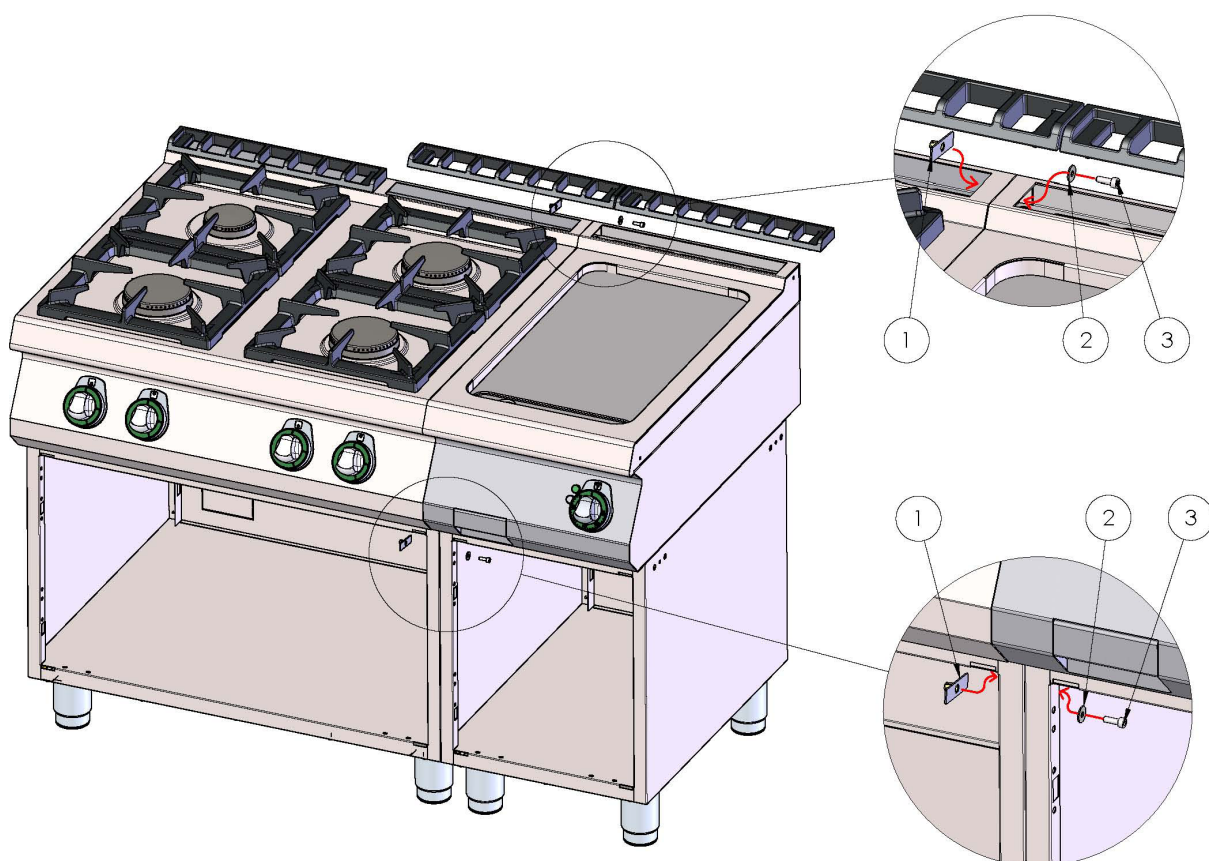
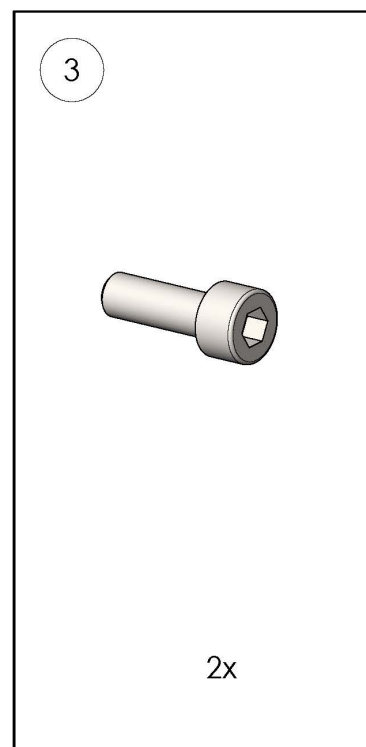
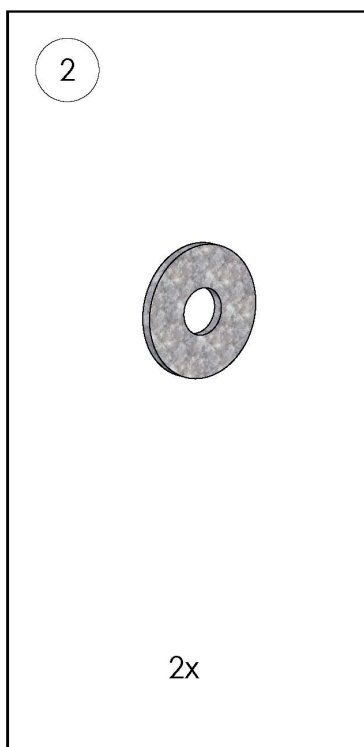
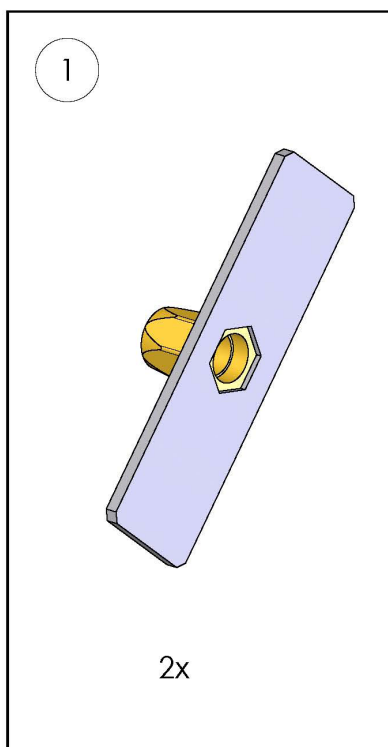
VT-740 E



# VT-780 E



# SPOJENÍ MODULŮ



Producenten erklærer, at anlæggene er i kompatibilitet med forskrifter 2004/108/ES, 2006/95/ES lov nr. 616/2006sb., nr. 17/2003 sb. og tilhørende regeringens forordninger. Installationen skal udføres med hensyn til de gældende normer. Læg mærke til, at producenten fraskriver sig ethvert ansvar i tilfælde af både direkte og indirekte skader, der har forbindelse med en forkert installation, et ukorrekt indgreb eller ændringer, utilstrækkelig vedligeholdelse, ukorrekt brug og skader, der er forårsaget af andre årsager end de anførte punkter, som er anført i salgsbetingelser. Anlægget er beregnet udelukkende til fagbrug og skal betjenes af kvalificerede personer. Dele, der blev sikret af producenten eller en bemandet medarbejder efter installationen, må ikke ombygges af brugeren.

## TEKNISKE DATA

Typepladen med tekniske data befinder sig på det bagerste del af anlægget. Læs grundigt det

TYPE	DIMESNIONER (CM)	STRØMFORBRUG (kW) / SPÆNDING(V/Hz)
VT-740 E	400 x 730 x 895	7,5 400 / 50
VT-780 E	400 x 730 x 895	2x 7,5 400 / 50



# KONTROL AF PAKNINGEN OG ANLÆGGET

Anlægget forlader vores lager i en forsvarlig pakning, på hvilken befinder sig tilsvarende symboler og markeringer. I pakningen befinder sig en tilsvarende betjeningsvejledning. Hvis pakningen viser tegn på en dårlig behandling, skal den reklameres øjeblikkeligt hos transportøren og man skal skrive og underskrive en protokol om beskadigelsen.

## Vigtig varsel:

- vejledningen skal læses grundigt og omhyggeligt, da den indeholder vigtige informationer om sikkerhedselementer, installation og brug
- disse anbefalinger har forbindelse med dette produkt
- produktet svarer til gældende normer
- vejledningen skal gemmes omhyggeligt til fremtidigt brug
- børn må ikke gøre brug af anlægget
- ved salg eller omplacering skal man sikre sig, at betjeningen eller den faglige service har stiftet bekendskab med betjenings- og installationsanvisninger i den vedlagte vejledning
- produktet skal betjenes udelukkende af en fagkyndig person
- det må ikke forlades uden opsyn
- det anbefales, kontrol 1 gang om året
- ved eventuel reparation eller udskiftning af dele skal der bruges originale reservedele
- produktet må ikke renses med vandstrøm eller med trykbruser
- ved fejl eller forkert drift af produktet er det nødvendigt at afkoble alle tilslutninger (vand, elektricitet, gas) og tilkalde autoriseret service
- producenten fraskriver sig et enhver ansvar ved fejl forårsaget af en forkert installation, samt forkert brug af produktet.

## INSTALLATION

Tekniske instruktioner for installationen og reguleringen

Til brug UDELUKKENDE for specialiserede teknikkere. Følgende instruktioner henvender sig til en tekniker, der er kvalificeret til installation, og som skal udføre alle operationer på den måde, der er mest korrekt og ifølge de gældende normer.

Vigtigt

Enhver aktivitet i forbindelse med reparationen må kun udføres når anlægget er koblet af nettet.

Hvis det er nødvendigt at reparere anlægget med spænding, skal man arbejde yderst omhyggeligt.

## PLACERING

Til reguleringen af anlæggets brug er det helt nødvendigt, at køkkenets omgivelser, hvor anlægget skal installeres, er godt udluftet (med hensyn til dette: teknikkeren skal følge de gældende normer). Hvis anlægget placeres, så det er i kontakt med møblernes vægge, skal disse modstå temperaturer op til 60°C. Installationen, afbalanceringen og opstarten skal udføres af en kvalificeret person, der er berettiget til disse aktiviteter, og ifølge de gældende normer for installation af anlægget.

Udpak anlægget og kontroller, at det er uskadt efter transporten. Placer anlægget på en vandret flade (maksimal ujævnhed inden for 2°). Placer anlægget under en emhætte, så vanddampen og lugten bliver elimineret.

Anlægget kan installeres selvstændigt eller i serien med anlæggene af vores produktion. Det er nødvendigt at overholde en minimum distance på 10 cm fra andre genstande, og man skal forebygge kontakt af anlægget med brandbare materialer. I dette tilfælde skal man sikre tilsvarende ændringer, så at der er sikret varmeisolleringen af de brandbare dele.

## TILSLUTNINGEN AF ELEKTRISK KABEL TIL NETTET

Installationen af den elektriske tilførsel – Tilførslen skal sikres selvstændigt, med en tilsvarende afbryder af nominalstrømmen afhængig af strømforbrug af det installerede anlæg. Anlæggets strømforbrug kontrolleres på typepladen på den bagerste del af anlægget. Anlægget tilsluttes direkte til nettet. Det er nødvendigt at installere en kontakt mellem anlægget og nettet med en minimum distance på 3 mm mellem de enkelte kontakter, og som svarer til gældende normer og belastninger. Jordtilførsel (gulgrøn) må ikke afbrydes med denne kontakt.

I hvert fald skal tilførselskablet placeres sådan, at det på intet punkt opnår temperaturen som er 50 grader højere end omgivelsestemperatur. Før man tilslutter anlægget til nettet, skal man sikre sig, at:

- tilførselsafbryderen og den indre kreds kan tåle anlæggets belastning (se typeplade)
- fordelingen er forsynet med et effektivt jordstik ifølge normer og betingelser givet af loven
- stikkontakt eller kontakt i tilførslen er godt tilgængelige fra anlægget

Vi fralægger os ethvert ansvar i det tilfælde, at disse normer ikke bliver respekteret og i det tilfælde, at disse anvisninger ikke bliver overholdt.

Før opstart er det nødvendigt at fjerne den beskyttende folie og anlægget skal renses, se kapitlet „rensning og vedligeholdelse“.

## SIKKERHEDSANVISNINGER FRA SYNSPUKTET AF BRANDVÆRNET IFØLGE EN 061008 ARTIKKEL 21

- betjeningen af anlægget må udelukkende udføres af voksne personer
  - anlægget må bruges sikkert i almindelige omgivelser ifølge ČSN 332000-1.
  - anlægget skal placeres sådan, at det står eller hænger på et ikke brandbart underlag.
- På anlægget og i distancen mindre end sikkerdistancen må ikke placeres genstande af brandbare materialer (den mindste distance af anlægget til brandbare materialer er 10 cm).
- for sikre distancer fra materialer af de enkelte brandbarhedsgrader og informationer om brandbarhedsgrad af de vanlige byggematerialer - se tavlen

Tavlen:

brandbarhedsgrad af byggemateriale placeres i brandgrader (ČSN 730823) af materialer og produkter

A ikke brandbart granit, sandsten, beton, mursten, keramiske fliser, puds

B dårligt brandbart "akumin", "heraklit", "lihnos", "itaver"

C1 meget brandbart løvetræ, krydsfinér, "sirkoklit", hærdet papir, "umakart"

C2 middelbrandbart spånplade plader, "solodur", korkplader, gummi, gulvmaterialer

C3 letbrandbart træfiberplader, polystyren, polyurethan, PVC

Anlæggene skal installeres på en sikker måde. Under installationen må overholdes tilsvarende projekt-, sikkerheds- og hygiejniske forskrifter ifølge:

- EN 06 1008 brandsikkerhed af de lokale anlæg og varmekilder
- EN 33 2000 omgivelser for elektriske anlæg

**Før man starter brug af anlægget, er det nødvendigt at rense det grundigt med vand, tilsat opvaskemiddel og bagefter skylle med rent vand. Bagefter tørres. Forlad aldrig anlægget uden tilsyn, når det er i drift.**

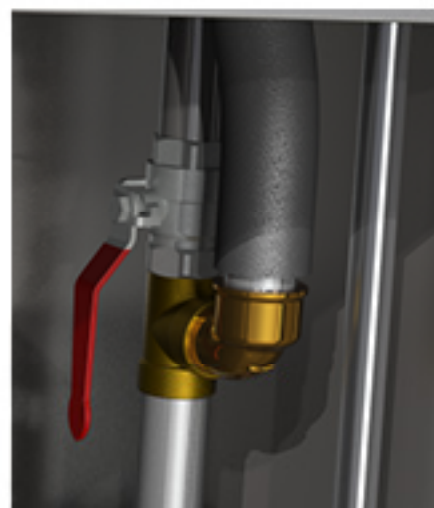
**NB!**

Før man starter brug af anlægget, er det nødvendigt at rense det grundigt med fugtig klud med opvaskemiddel og tørre.

Karret fyldes via en påfyldningsventil, der er placeret på frontpanelet. Første påfyldning skal ske langsomt, fordi vandsystemet indeholder luft, og der er mulighed for, at vandet pludselig sprøjter ud af påfyldningsarmen. Påfyld anlægget med vandet helt til mærket på siden af karet. Drej med betjeningen (A) fra positionen "0" til den ønskede temperatur i omfangen 30°C - 110°C. Kontrollyser (B) vil lyse. Kontrollyser (B) lyser, når anlægget er under elektrisk strøm. Kontrollysen (C) lyser, når varmespiraler er i gang. Kontrollysen (C) slukker, når anlægget er opvarmet på den indstillede temperatur. Man slukker for anlægget, når man drejer med betjeningen (E) til positionen "0". Overvåg ustandseligt vandniveauet, anlægget må ikke bruges uden vand. Brug anlægget udelukkende under tilsyn og altid fuld besat med tilsvarende gastronombeholdere.



Karret tømmes via en afløbsventil, der befinder sig inde i soklen. Afløbsrøret slutter under anlægget, og vandet løber direkte ned på gulvet. Røret er afsluttet med et G1" gevind, der kan anvendes ved tilslutning af et ekstra afløbsrør.



## RENSNING OG VEDLIGEHOLDELSE

NB! Anlægget må ikke renses med direkte- eller trykvand.

Anlægget renses dagligt. Daglig rensning forlænger levetiden og effekten af anlægget. Før man starter rensning, forsikre dig om, at anlægget er afkoblet fra elektrisk strøm. Afbryd altid på hovedtilførsel til anlægget. Rustfrie dele renses med en fugtig klud med opvaskemiddel uden grove partikler, bagefter tørres, specielt omkring reguleringsknappen, hovedkontakten, kabelgennemførsel, tilførselskabel, mikrokoblere og siddelister. Brug ikke abrasive eller korrosive rensedmidler.

Rensning af varmeelementer – træk boksen med varmeelementer ud. Varmeelementer renses kun med en fugtig klud.

Hvordan tappes olien ud? – tag beholderen ud ved hjælp af hanker, der er placeret på sider. Denne aktivitet udføres udelukkende, når olien er kold. Beholderen kan vaskes i en opvaskemaskine. Efter vaskning tørres den, og den nye eller filtrerede olie påfyldes.

Ved typen FE – 10T/1010T er fremgangsmåden sådan: Brugeren skal først skaffe sig en passende beholder til taping af olien fra karet. Beholderen skal være af materiale, der modstår varme, og den skal placeres sådan, at olien ikke sprøjter og dermed skaber fare. Påsæt tapperør, fjern sikringen mod den ufrivillige åbning i retningen opad, og skyd håndtaget til positionen markeret med den åbne hane. Karet tappes ud, kun når olien er kold.

### HVORDAN ER FREMGANGSMÅDEN I TILFÆLDE AF FEJL

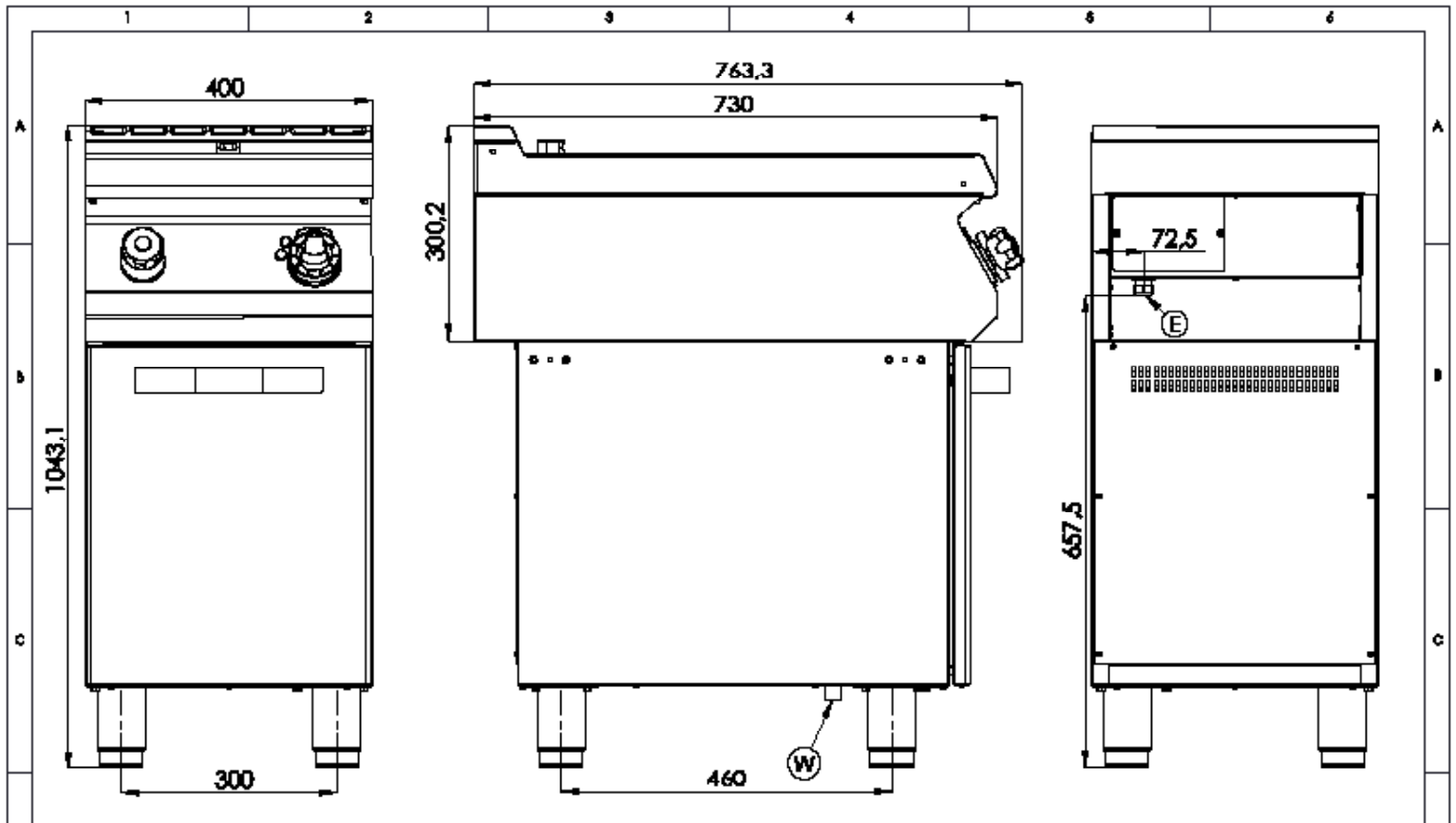
Sluk for den elektriske tilførsel og ring til sælgerens serviceorganisation.

### **PAS PÅ!**

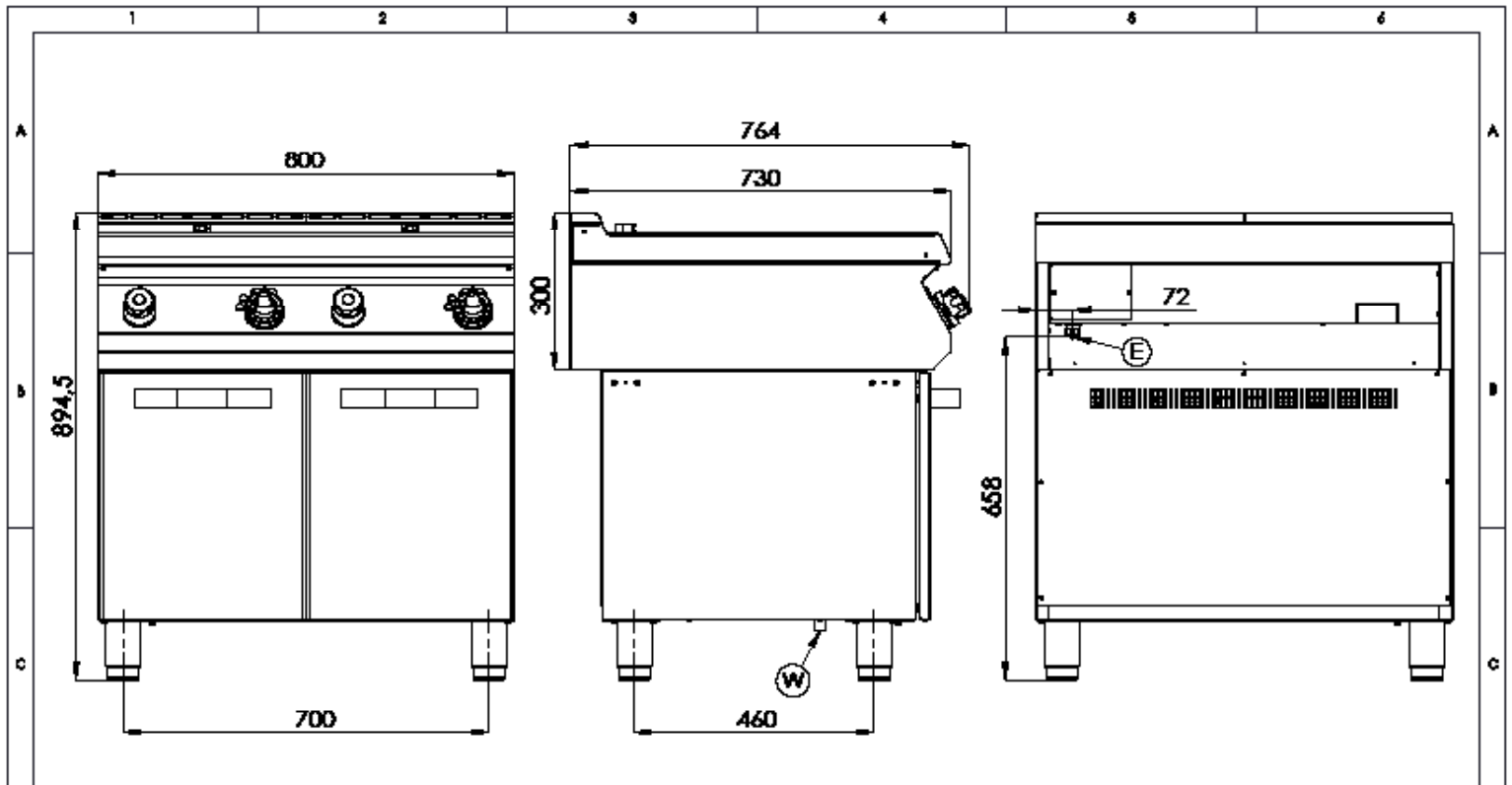
Garantien omfatter ikke alle gummitætninger, elektriske pærer, glas-og plasticdele. Garantien omfatter heller ikke alle brugsdele, der er almindelig slidtage. Garantien omfatter ikke anlæg, hvis installation af anlægget ikke er udført ifølge vejledningen af en berettiget person og ifølge de tilsvarende normer, og hvis der blev manipuleret ufaglignende med anlægget (indgreb i anlæggets indre). Garantien omfatter heller ikke skader, der er forårsaget af naturfænomener.

# DIMENSIONELLE BILLEDE

## VT-740 E



## VT-780 E










# TILSLUTNINGSSKEMAET: 1

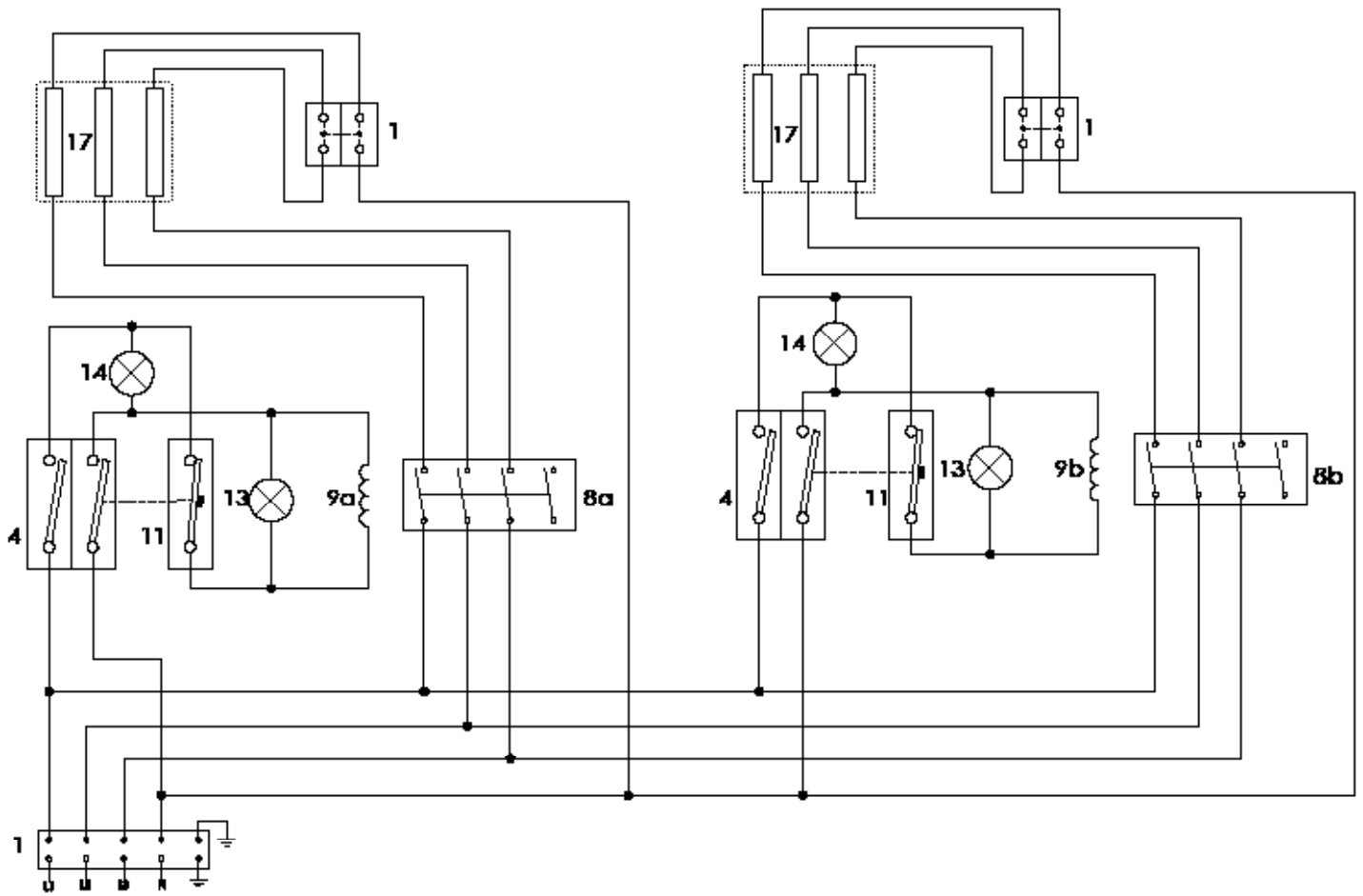
VT-740/704 E






	 ENGLISH 	 DEUTSCH 	 FRANÇAIS 
1	TERMINAL	TERMINAL	TERMINAL
2	SWITCH O / I	SWITCH O / I	INTERRUPTEUR O / I
3	ILLUMINATED SWITCH O / I	BELEUCHTETE SWITCH O / I	INTERRUPTEUR ILLUMINÉ O / I
4	ROTARY SWITCH	SWITCH ROTARY	SWITCH ROTARY
5	PUSH BUTTON SWITCHES	DRUCKSCHALTER	BOUTON POUSSOIR
6	LIMIT SWITCH	ENDSCHALTER	LIMIT SWITCH
7	MICROSWITCH	MIKROSCHALTER	MICRO
8	RELAY	RELAY	RELAIS
9	RELAY CONTACTS	RELAISKONTAKTE	CONTACTS DE RELAIS
10	TIMER	TIMER	TIMER
11	OPERATING THERMOSTAT	THERMOSTAT WORK	TRAVAIL DU THERMOSTAT
12	SAFETY THERMOSTAT	SICHERHEIT THERMOSTAT	THERMOSTAT DE SÉCURITÉ
13	WHITE LIGHT	WEISSLICHT	L'ORANGE
14	GREEN LIGHT	GRÜNES LICHT	LE VERT
15	DIODE	DIODE	DIODE
16	INTERIOR LIGHT	INNENLEUCHTEN	ECLAIRAGE INTERIEUR
17	HEATING ELEMENT	HEIZELEMENT	ELEMENT DE CHAUFFAGE

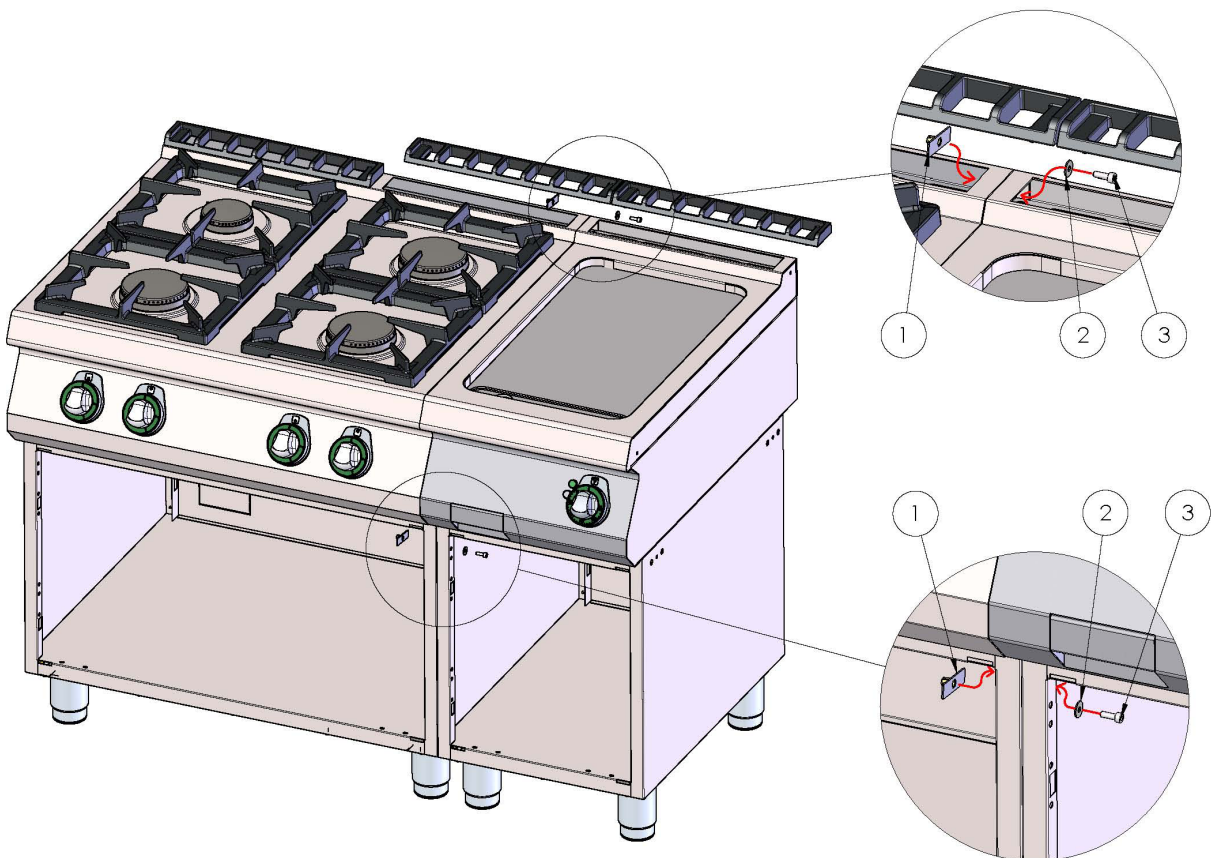
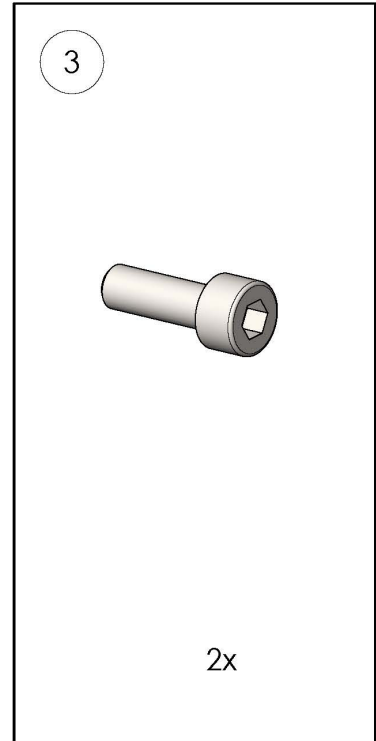
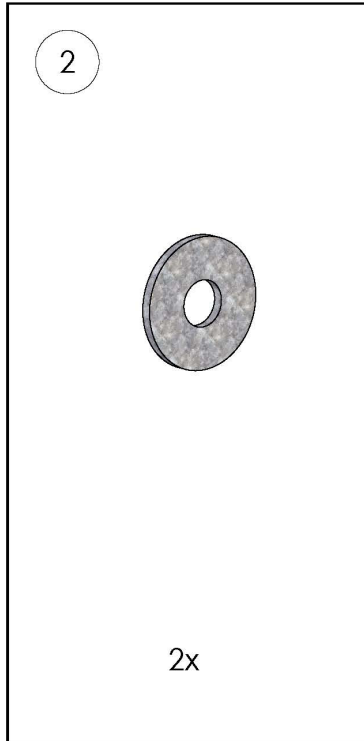
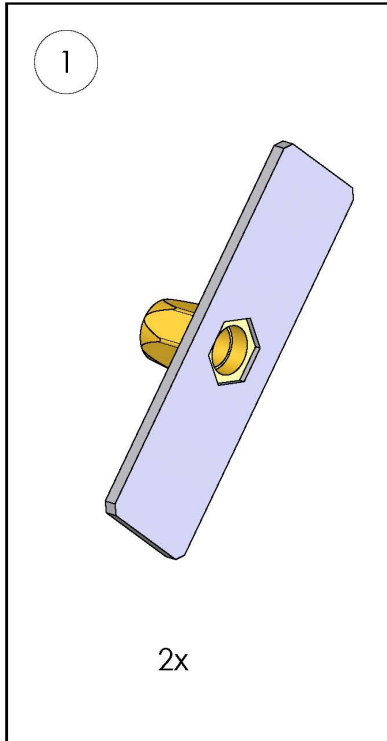
# TILSLUTNINGSSKEMAET: 2

VT-780/708 E



	 ENGLISH	 DEUTSCH	 FRANÇAIS
1	TERMINAL	TERMINAL	TERMINAL
2	SWITCH O / I	SWITCH O / I	INTERRUPTEUR O / I
3	ILLUMINATED SWITCH O / I	BELEUCHTETE SWITCH O / I	INTERRUPTEUR ILLUMINÉ O / I
4	ROTARY SWITCH	SWITCH ROTARY	SWITCH ROTARY
5	PUSH BUTTON SWITCHES	DRUCKSCHALTER	BOUTON POUSSOIR
6	LIMIT SWITCH	ENDSCHALTER	LIMIT SWITCH
7	MICROSWITCH	MIKROSCHALTER	MICRO
8	RELAY	RELAY	RELAIS
9	RELAY CONTACTS	RELAISKONTAKTE	CONTACTS DE RELAIS
10	TIMER	TIMER	TIMER
11	OPERATING THERMOSTAT	THERMOSTAT WORK	TRAVAIL DU THERMOSTAT
12	SAFETY THERMOSTAT	SICHERHEIT THERMOSTAT	THERMOSTAT DE SÉCURITÉ
13	WHITE LIGHT	WEISSLICHT	L'ORANGE
14	GREEN LIGHT	GRÜNES LICHT	LE VERT
15	DIODE	DIODE	DIODE
16	INTERIOR LIGHT	INNENLEUCHTEN	ECLAIRAGE INTERIEUR
17	HEATING ELEMENT	HEIZELEMENT	ELEMENT DE CHAUFFAGE

# tilslutningsmoduler



## IZJAVA O SAGLASNOSTI SA NORMAMA

Proizvodjač proglašava da uređaji ispunjavaju norme evropskog parlamenta i savjeta 2004/108/ES, 2006/95/ES. Instalacija mora biti provedena prema važećim normama.

Pozor, proizvođač ne snosi odgovornost u slučaju direktnog i/ili indirektnog oštećenja, a koje može biti uzrokovano neodgovornom ili neprofesionalnom instalacijom, neispravnom opravom i/ili korištenjem, nedovoljnim održavanjem i čišćenjem, te ostalim faktorima koji su uvedeni u uputstvu, odnosno uslovima prodaje. Ovaj uređaj je namijenjen samo k profesionalnom korišćenju i upotrebi, tako da mora biti servisiran samo kvalifikovanim osobljem. Dijelovi koji su bili instalirani od strane proizvođača ili njim povjerene osobe, ne smije korisnik mijenjati, niti opravljati.

## TEHNIČKI PODACI

Naljepnica sa tehničkim podacima se nalazi sa zadnje ili bočne strane aparata. Prije nego što aparat počnete koristiti prostudirajte shemu elektr. instalacije i ostale odgovarajuće informacije.

Model	Napon (V / Hz)	Sanga (kW)	Temperatura (°C)	Razmjer košara (mm)	Razm. uređaja (cm)
VT-740 E	400 / 50	7,5	30 - 110	40 x 73 x 85 v	33 x 60 x 29 v
VT-780 E	400 / 50	2x 7,5	30 - 110	80 x 73 x 85 v	66 x 60 x 29 v

## KONTROLA PAKOVANJA I APARATA

Uredjaj napušta naše skladište uredno zapakovan, na pakovanju se nalaze simboli i opis tipa aparata. U pakovanju ćete naći uputstvo za upotrebu. Ukoliko bi se na pakovanju vidjelo da je s njim bilo loše manipulirano, da je pakovanje oštećeno, morate to odmah riješiti sa prijevoznikom, a to tako što ćete s njim napisati i obostrano potpisati protokol o šteti. Kasnije reklamacije nećemo uzimati u obzir.



### Važno upozorenje

Ovo uputstvo mora biti pažljivo pročitano, budući da sadrži bitne informacije o sigurnosti, instalaciji i korištenju.

- Ove preporuke se odnose na ovaj proizvod ili liniju proizvoda.
- Ovo uputstvo se treba sačuvati i za buduće korištenje.
- Zabranite djeci da koriste uređaj.
- Prilikom preprodaje ili izmjene pozicije uređaja, neophodno je upoznati servis i osoblje sa priloženim uputstvom za upotrebu i instalaciju.
- Uredjaj smije koristiti samo poslušač koji je upoznat sa uputstvom.
- Nesmijete ostavljati uređaj bez nadzora.
- Preporučuje se kontrola autorizovanim servisom minimalno 2x godišnje.
- U slučaju oprave ili izmjene rezervnog dijela, koristite samo originalne dijelove.
- Uredjaj se ne smije čistiti vodom pod pritiskom (tuš ili crijevo sa vodom).
- U slučaju kvara, isključite aparat iz struje, prekinite dovod vode i/ili plina, a potom se obratite na autorizovani servis.
- Proizodjač ne snosi odgovornost u slučaju pogrešne instalacije, nedodržavanjem gore navedenih preporuka, odnosno neodgovornim korištenjem i sl.
- Uredjaj smije biti korišten samo k tomu čemu je namijenjen, drugi način korištenja može uzrokovati oštećenje aparata ili, čak, tjelesne povrede.
- Moramo najstrožije dodržavati pravila protivpožarne zaštite.

## POZICIJA

Za ispravan rad i položaj aparata neophodno je dodržavati smjernice i norme propisane u uputstvu.

Raspakujte uređaj i prekontrolirajte da se nije slučajno oštetiо tijekom transporta. Smjestite uređaj na vodoravnu podlogu (maksimalna neravnina do 2°). Male neravnine možemo regulirati nožicama.

Ako je aparat smješten tako da će biti u neposrednoj blizini namještaja, taj mora biti otporan na toplotu od 60°C. Instalaciju, podešavanje i početak korištenja mora biti proveden kvalifikovanim osobom, koja je k tomu povjerena od strane autorizovanog servisa.

Uredjaj može biti instaliran samostalno ili u seriji sa ostalim našim proizvodima. Obavezno dodržavajte minimalnu udaljenost 10 cm od lako zapaljivih predmeta. U takvom slučaju, moraju biti provedene određene izmjene kako bi izolirale zapaljive materijale.

Uredjaj smije biti instaliran samo na nezapaljivoj površini i pored vatrostalnog zida.



## INSTALACIJE

### Važno:

Proizvodjač ne daje nikakvu garanciju na greške uzrokovane neispravnim korištenjem, nepridržavanjem danih instrukcija ili neodgovornim korištenjem proizvoda.

Instalaciju, izmjene i oprave, a jednako tako i demontažu, ukoliko je aparat oštećen, može provesti samo odgovorna osoba, a to povjerena autorizovanim servisom. I to na osnovu ugovora o prodaji i održavanju koji može biti sklopljen samo sa oficijalnim predstavnikom proizvođača, a mora sadržavati sve tehničke propise i norme koje se tiču instalacije, dovoda struje i plina, te bezbjednosti rada.

Tehničke instrukcije za instalaciju i podešavanje služe samo SPECIJALIZIRANIM serviserima.

Instrukcije, koje slijede tiču se tehničara kvalifikovanih za instalaciju uređaja, a da bi to učinili na što korektniji i odgovorniji način, a to prema zadanim normama.

Bilo koja djelatnost vezana za regulaciju i sl., mora biti provedena samo kada je aparat isključen i prekinut dovod plina i/ili vode. Dok aparat ne isključite i odpojite, budite maksimalno oprezni i pažljivi prilikom rukovanja.

Kakav trebate koristiti odvod dima, možete vidjeti na naljepnici sa deklaracijom tipa aparata, radi se o aparatima tipa A1.

## BEZBJEDNOSNE MJERE PROTIVPOŽARNE ZAŠTITE

- Koristiti uređaj smiju samo odrasle osobe.
- Uređaj smije biti korišten samo u tome namijenjenom prostoru.
- Uređaj postavite tako da stoji na vatrostalnoj podlozi.

**Na uređaj i u njegovoj blizini ne smiju biti postavljeni lako zapaljivi predmeti (najmanja dozvoljena udaljenost između aparata i zapaljivih materijala je 10 cm).**

- Informacije o stupnju zapaljivosti uobičajenih građevinskih materijala možete vidjeti na tabeli. Uređaj mora biti instaliran na bezbjednom mjestu. Prilikom instalacije moraju biti respektovani priloženi projektni materijali, sigurnosni i higijenski propisi.

<b>Stupanj zapaljivosti</b>	<b>Gradjevinski materijal</b>
<b>A</b> - nezapaljive	granit, pijesak, beton, cigle, keramičke pločice, žbuka
<b>B</b> - teško zapaljive	akumin, heraklit, lihnos, itaver
<b>C1</b> - veoma zapaljive	drvo, sirkoklit, tvrdi papir, sadrokarton
<b>C2</b> - srednje zapaljive	iverica, solodur, pluto, guma, linoleum
<b>C3</b> - lehce hořlavé	dřevovláknité desky, polystyrén, polyureten, PVC

Uredjaji moraju biti instalirani na bezbijedan način. Prilikom instalacije uredjaja moraju biti respektovani predloženi projektni materijali, bezbijednosni i higijenski propisi.

## **PRIKLJUČIVANJE EL. KABLA U STRUJU**

Instalacija dovoda struje - taj dovod mora imati svoj poseban osigurač. A to odgovarajući prema snazi i naponu instalovanog aparata. Ove podatke ćete naći na naljepnici sa zadnje ili bočne strane aparata.

Uzemljenje može biti duže od ostalih spojnica. Uredjaj pripojite direktno na struju, a neophodno je da instalirate medju uredjajem i strujom prekidač, i to na udaljenosti 3mm medju samostalnim kontaktima, tako da bi odgovarao važećim normama i opterećenju. Uzemljenje (žuto-zeleno) ne smije biti tim prekidačem prekinuto. Aparat je predvidjen da se uključi u utičnicu, ukoliko ima odgovarajući osigurač.

U svakom slučaju, dovod mora biti postavljen tako da kabel niti na jednom mjestu ne može imati toplotu višu za 50 stupnjeva od sredine u kojoj se nalazi. Prije nego što kabel spojite, uvjerite se da:

- osigurač i razvodi mogu podnijeti opterećenje samog aparata (pogledaj naljepnicu)
- razvodi imaju odgovarajuće uzemljenje a to prema normama i uslovima odredjenim zakonom
- utičnica ili prekidač su lako pristupni.

**Ne preuzimamo bilo kakvu odgovornost u slučaju da se nisu dane instrukcije respektovale ili ako se nije postupalo prema danim uputama.**

Prije prve upotrebe pročitajte poglavlje „čišćenje i održavanje“. Uredjaj mora biti uzemljen pomoću već označenih šarafa.

# UPUTSTVO ZA UPOTREBU

## Pozor!

Prije nego što počnete uređaj koristiti, operite ga mlakom vodom i deterdžentom, a potom obrišite vlažnom krpom.

Napunite kuhalo vodom do crte označene na bočnoj strani posude. Uključite prekidač (B) okrenite regulacijsko dugme (A) iz položaja „0“ na vama željenu toplotu od 30°C do 110°C. Kontrolna lampica (C) će se razsvijetliti. Glavni prekidač (B) svijetli kada je uređaj uključen. Lampica (C) svijetli kada su grijači upaljeni. Lampica (C) će se ugasiti kada uređaj dostigne željenu toplotu. Aparat ćete isključiti kada dugme (A) okrenete u položaj „0“ i glavni prekidač (B) u položaj „0“. Neprekidno kontrolišite nivo vode! Nikad kuhalo ne koristite bez vode. Koristite ga popunjenog košaricama i držite ga stalno pod kontrolom. Vodu solite samo ukoliko vrije!!!

## IZLIJEVANJE POSUDE

Posudu praznite samo ukoliko je temperatura vode niža od 60° C i uređaj isključen iz struje. Korisnik si mora pripremiti sud u koji će izliti vodu iz kuhala. Ta posuda mora biti od materijala otpornog na toplotu, te postavljena tako da voda ne bi prskala, niti se izlivala mimo, a time ne uzrokovala štetu. Navucite slavinu, oslobodite osigurač, a ručicu okrenite u položaj ispuštanja vode.

Posudu ispraznite samo ako je voda ohladjena.

Ispusni ventil koji se nalazi unutar ormarića omogućava pražnjenje korita. Crijevo za otpadnu vodu je sprovedeno ispod uređaja i odliče na podlagu. Na kraju crijeva je navoj G1“, na koji je moguće spojiti sljedeće.

Doziranje vode vršimo putem regulacijskog ventila koji se nalazi na prednjem panelu. Prilikom prvog punjenja treba postupati pažljivo, budući da sistem može biti ozračen tako da može doći do iznenadnog mlaza vode iz slavine.

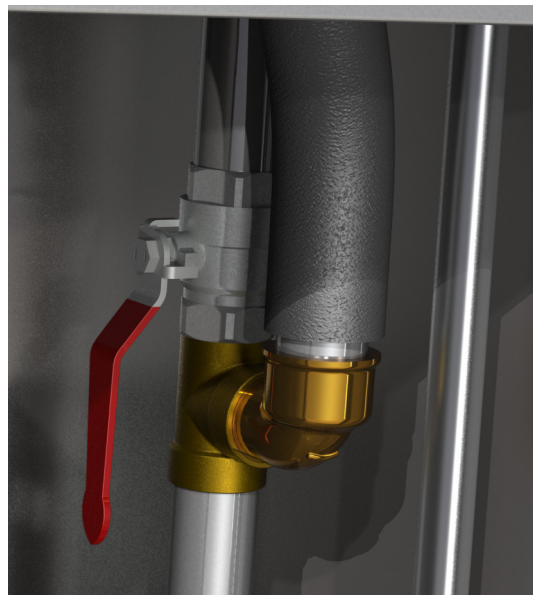
## OVLADANJE (SL. 2)



- Ⓐ **Regulacijsko dugme toplote**
- Ⓑ **Kada svijetli, aparat je upaljen**
- Ⓒ **Kontrolna lampica toplote**
- Ⓓ **Punjenje slavina**
- Ⓔ **Slavina**

## Slavina


Ⓔ



## ČIŠĆENJE I ODRŽAVANJE

Aparat prekontrolišite barem 2 x godišnje autorizovanim serviserom. Bilo kakve oprave ili instalacije mogu biti provedene samo kvalifikovanom osobom koja je za takve zadatke odgovorna.

### POZOR!

 Aparat ne smijete čistiti vodom koja je pod pritiskom; npr. tuš, crijevo. Čistite ga svakodnevno. Dnevno održavanje produžava život i upotrebnu vrijednost aparata. Prije početka čišćenja, provjerite da li ste aparat isključili iz struje. Uvijek provjerite glavni dovod. Dijelove od nehrdjajućeg čelika čistite vlažnom krpom i tekućim deterdžentom za sudje, potom operite čistom vodom i detaljno osušite. Nemojte koristiti abrazivna ili korozivna sredstva za čišćenje.

**Pozor!** Prije nego što počnete uređaj koristiti, obavezno sa njega skinite zaštitne folije i operite ga prema gore navedenim uputama.

Šta učiniti u slučaju kvara?

Isključite aparat iz struje i nazovite autorizovani servis.

## UPOZORENJE

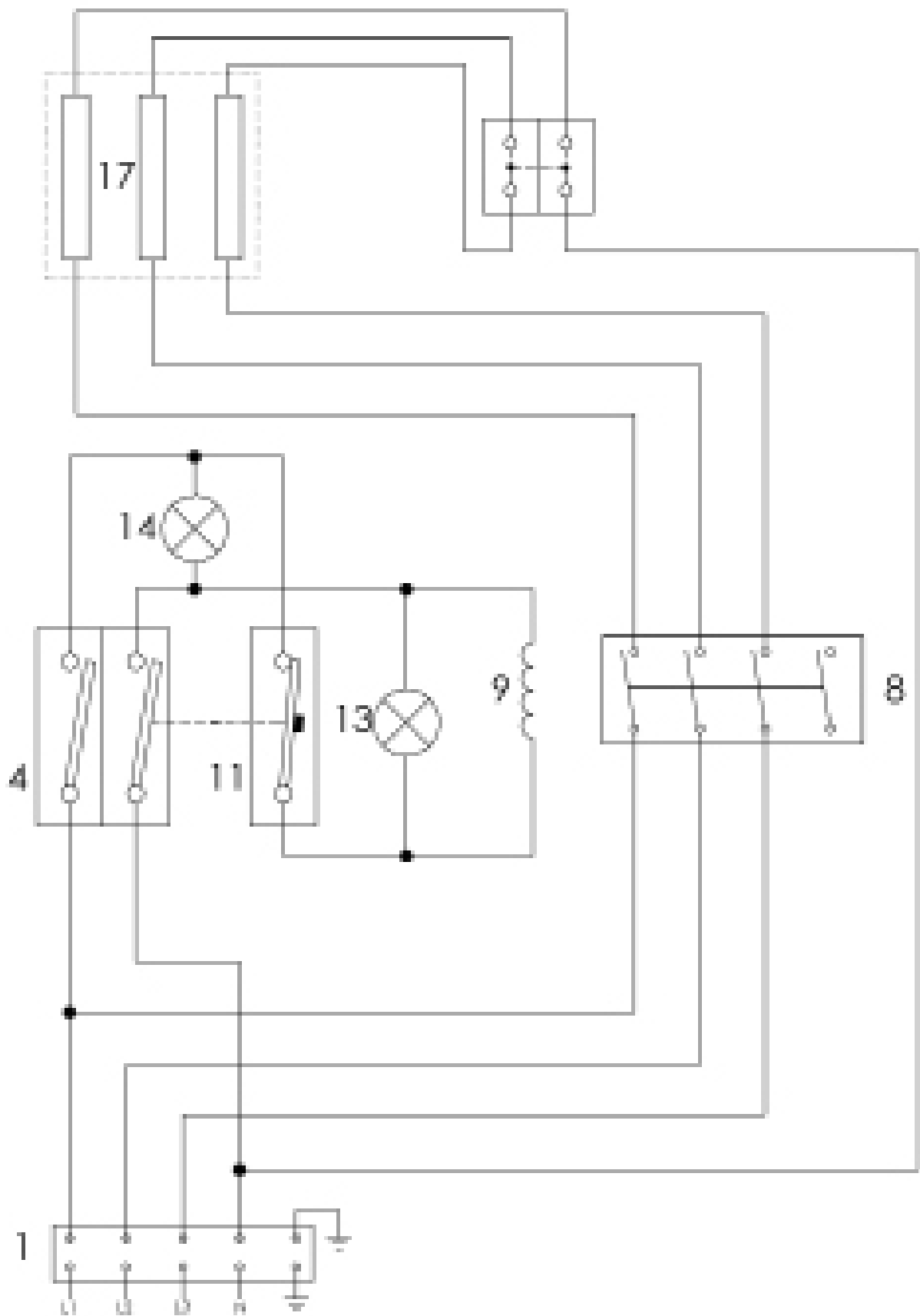
Garancija se ne odnosi na potrošne dijelove (kao što su: gumice, lampice, stakleni i plastični dijelovi...). Garancija se također ne odnosi na uređaj koji nije priključen i instaliran prema uputama, odgovornim serviserom, a prema danim normama. Isto tako, ukoliko su bile napravljene izmjene ili oprave koje nisu predviđene (oprave unutrašnje instalacije) ili ako je uređaj korišten nepoučenim ili neprofesionalnim osobljem, odnosno protivno instrukcijama navedenim u uputstvu za upotrebu. Također, garancija ne vrijedi ukoliko ja aparat oštećen vanjskim ili klimatskim uticajima.

**Neophodno je provoditi kontrolu uređaja svakih 6 mjeseci. Tu kontrolu treba da provede autorizovani serviser. U slučaju ne održavanja ove preporuke, proizvođač se ograđuje od bilo kakve odgovornosti za štetu na imovini ili zdravlju.**

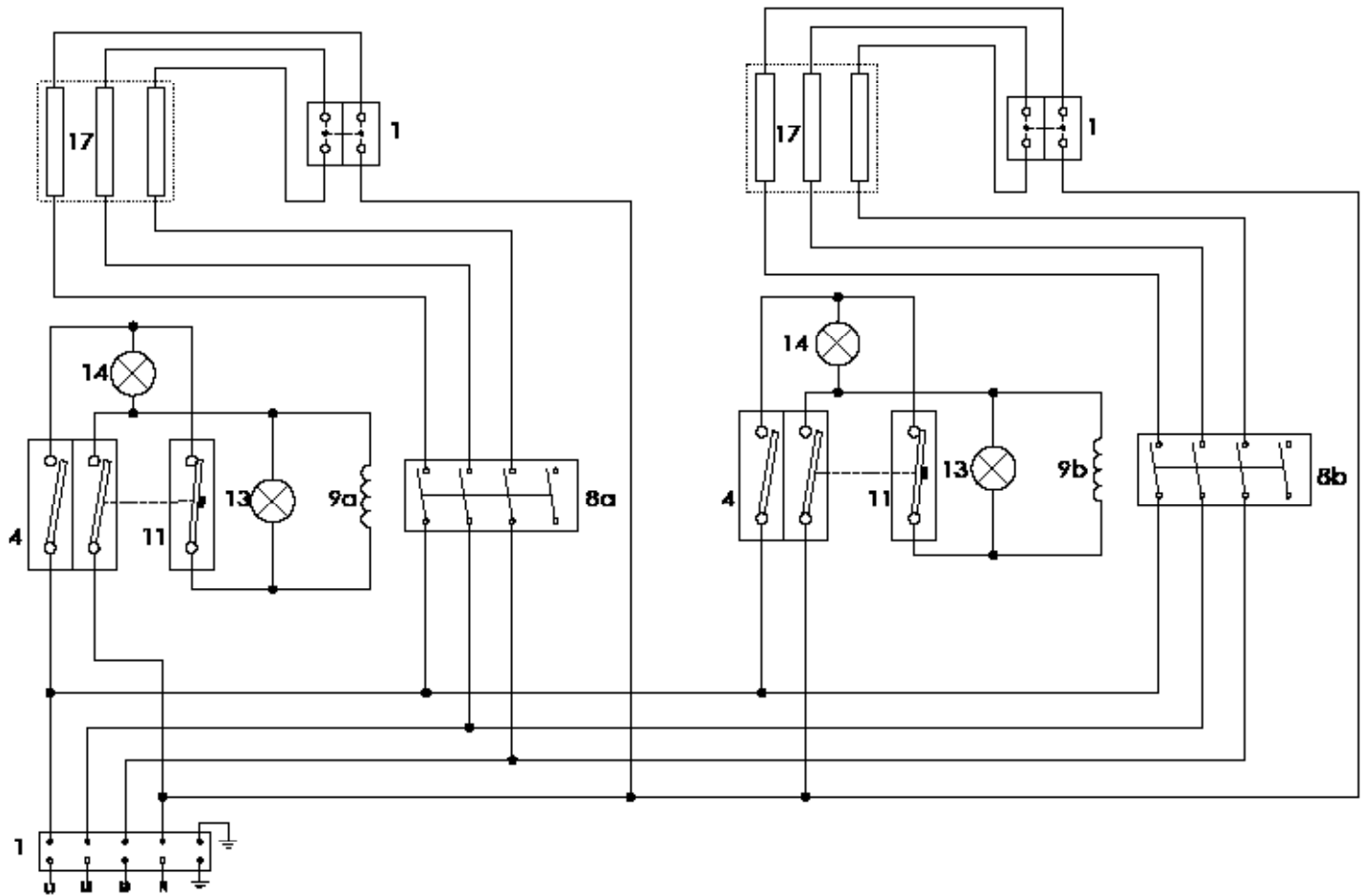
**Ambalažu pakovanja i uređaj poslije kraja njegove upotrebne vrijednosti, predajte na otpad, a to prema danim propisima o likvidaciji.**

# SHEMA PRIKLJUČKA:

VT-740 E



# VT-780 E

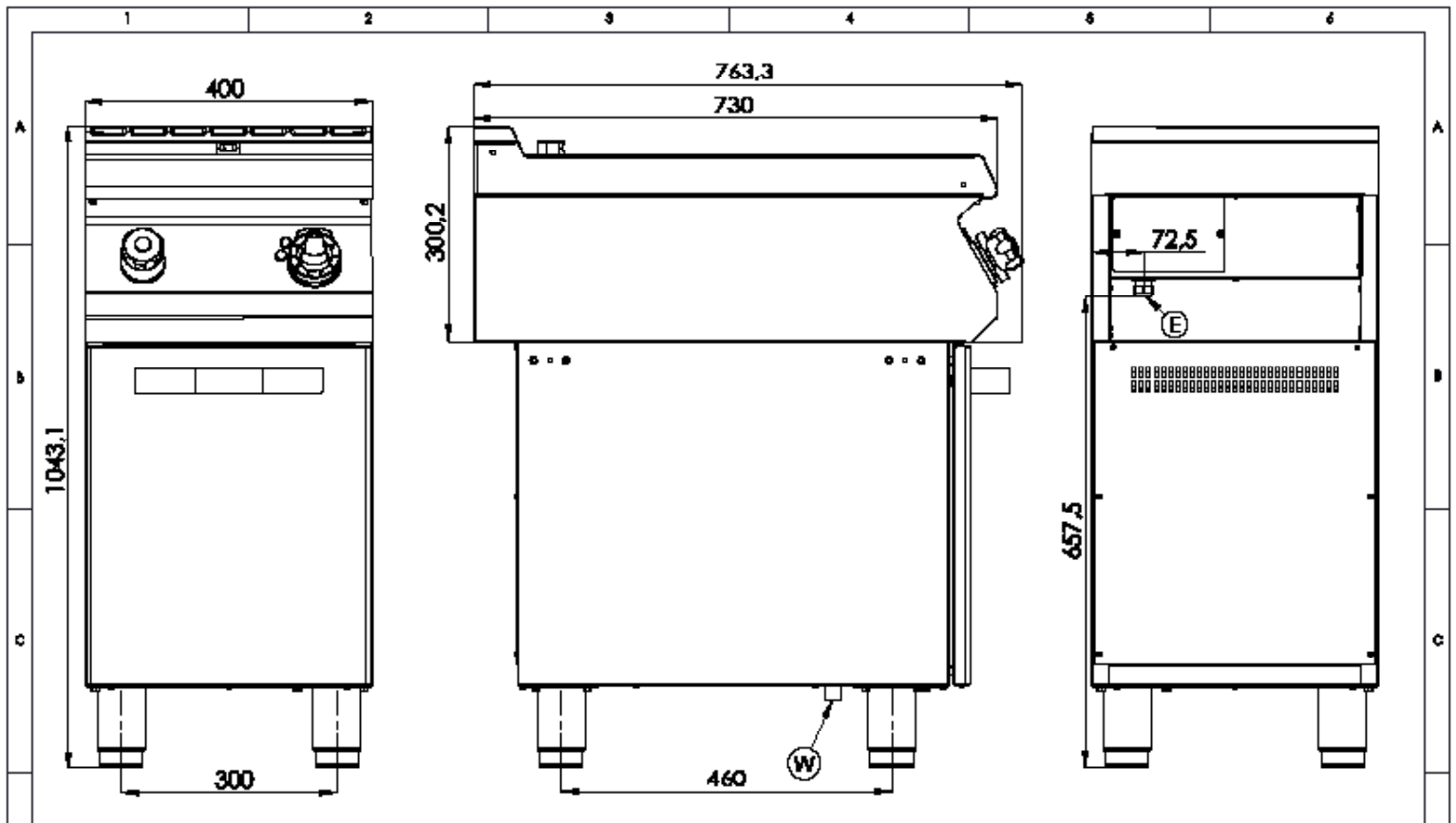


1	TERMINAL
2	SWITCH O / I
3	OSVIJETLJENA SWITCH O / I
4	PREBACITE ROTARY
5	PUSH BUTTON PREKIDAČI
6	PREKIDAČ
7	MICROSWITCH
8	RELEJNE
9	KONTAKTI RELEJA
10	TIMER
11	OPERATIVNI TERMOSTAT
12	SIGURNOSNI TERMOSTAT
13	ORANGE
14	ZELENO SVJETLO
15	DIODA
16	UNUTARNJA RASVJETA
17	GRIJAĆI ELEMENT
18	ZONA ZA KUHANJE
19	TRANSFORMATOR
20	OSIGURAČ
21	REOSTAT
22	TERMoeLEKTRIČNA BATERIJA
23	SENZOR
24	MOTOR LIFT
25	MOTOR VENTILATORA
26	POČEVŠI KONDENZATORU
27	SVJEĆICU
28	PLINSKI VENTIL (SIT)
29	SOCKET
30	DIGITALNI TERMOMETAR
31	CONTROL UNIT

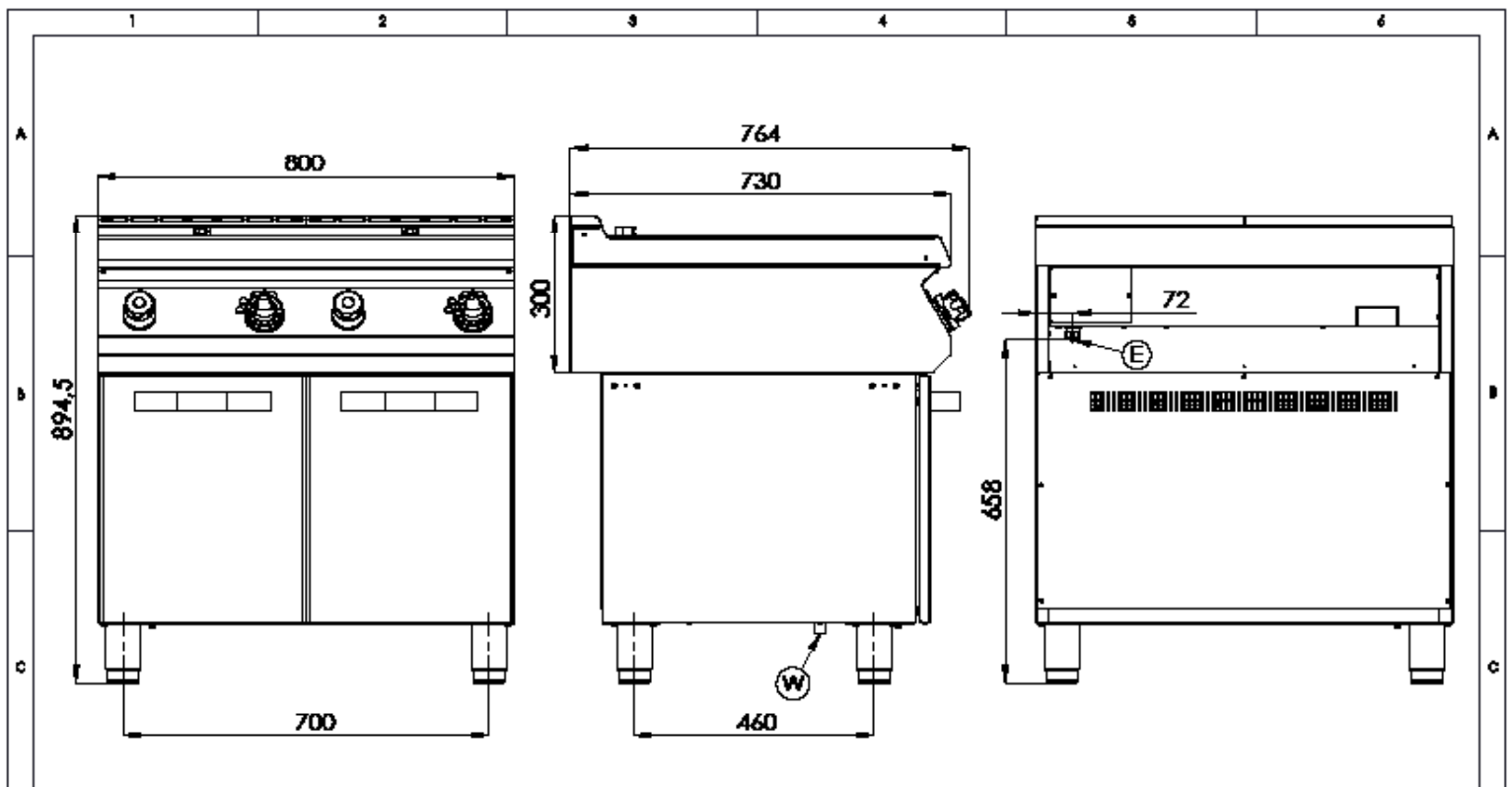


# DIMENSIONALNA SLIKA:

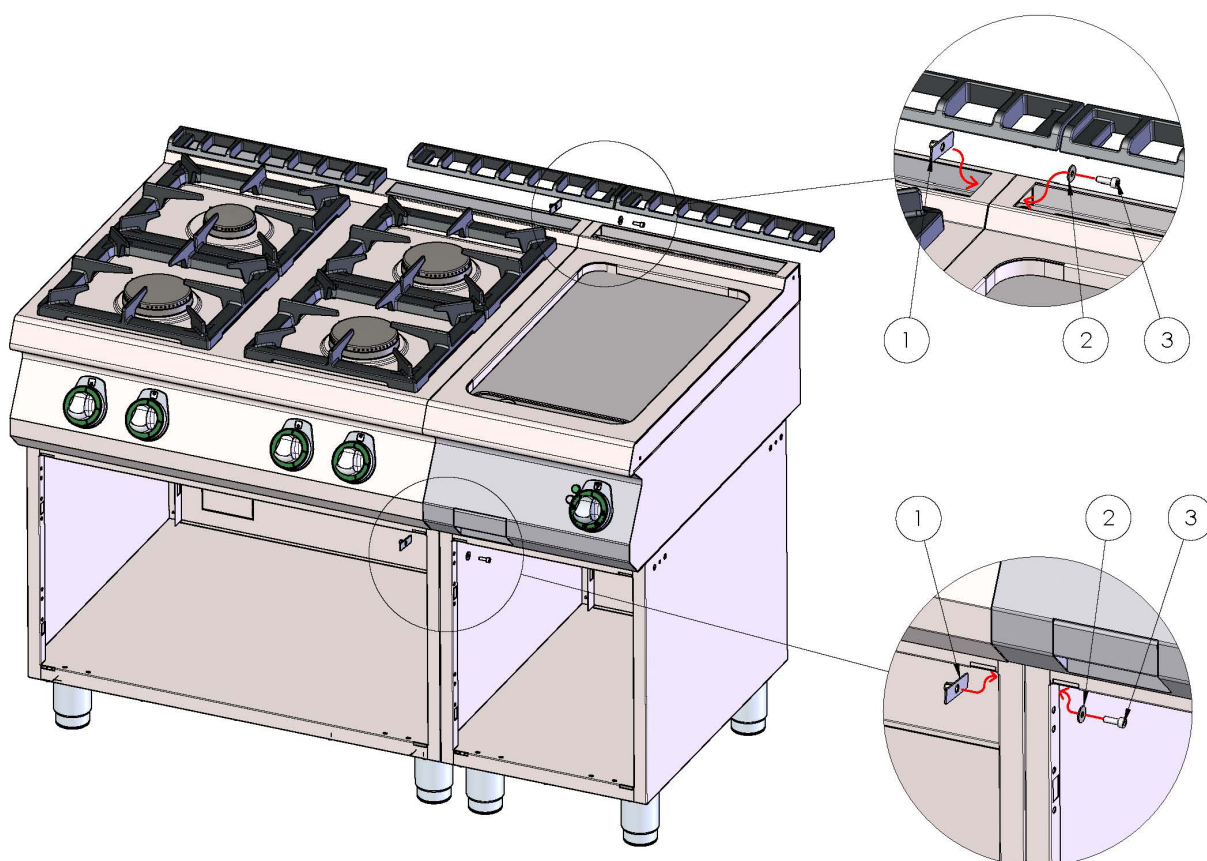
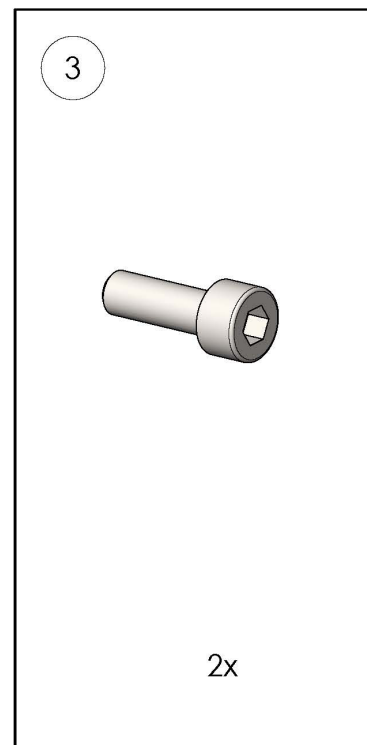
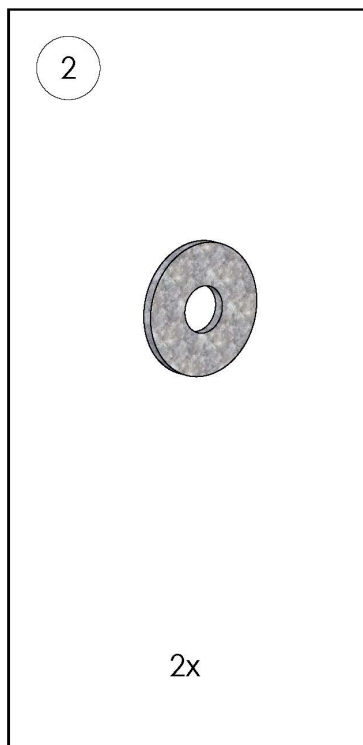
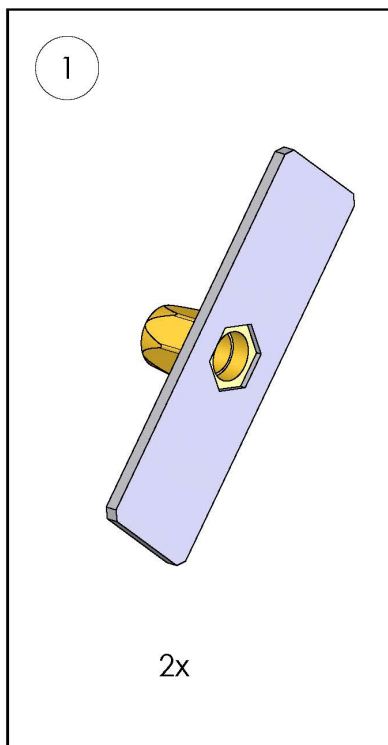
## VT-740 E



## VT-780 E



# priključak modula



## List of service organizations:

**CZ: RM GASTRO CZ s. r. o.**, Náchodská 818/16, Praha 9

Tel. +420 281 926 604, [info@rmgastro.cz](mailto:info@rmgastro.cz), [www.rmgastro.cz](http://www.rmgastro.cz)

**SK: RM Gastro Slovakia**, Rybárska 1, Nové Město nad Váhom

Tel.: +421 32 7717061, [obchod@rmgastro.sk](mailto:obchod@rmgastro.sk), [www.rmgastro.sk](http://www.rmgastro.sk)

**PL: RM GASTRO Polska Sp. z o. o.**, ul. Skoczowska 94, 43-450 Ustroń

Tel.: +33 854 73 26, [www.rmgastro.pl](http://www.rmgastro.pl)